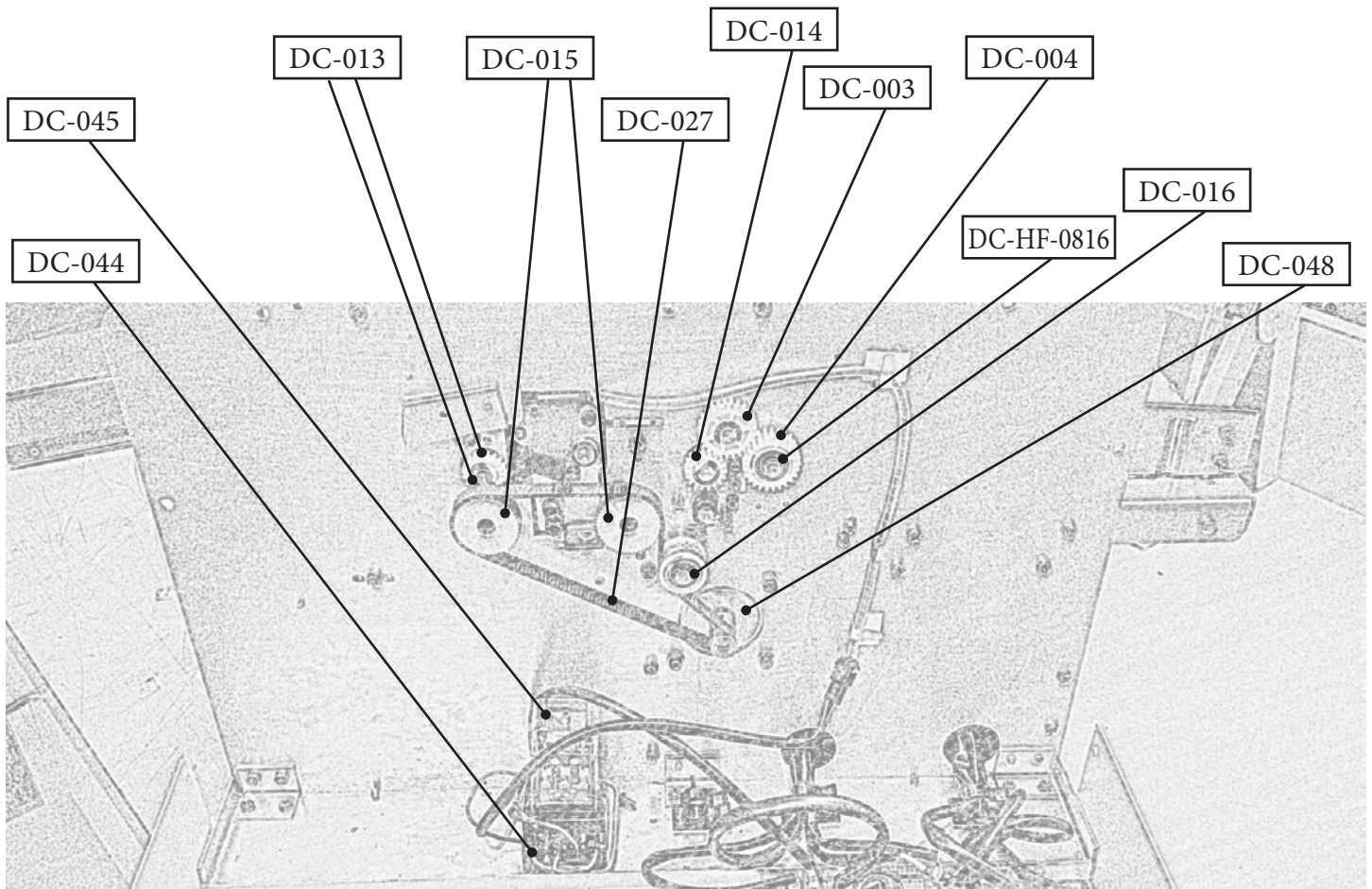
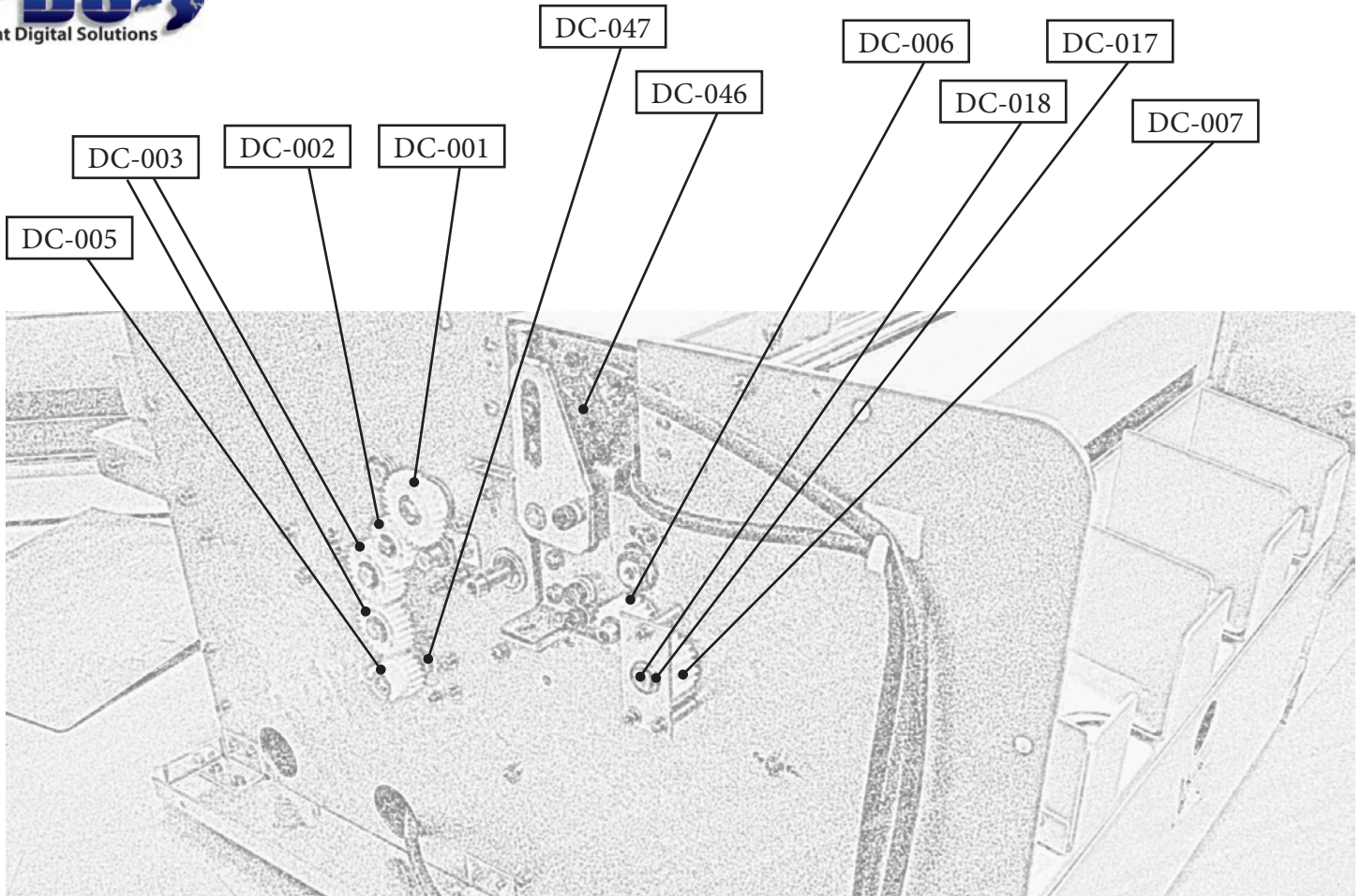
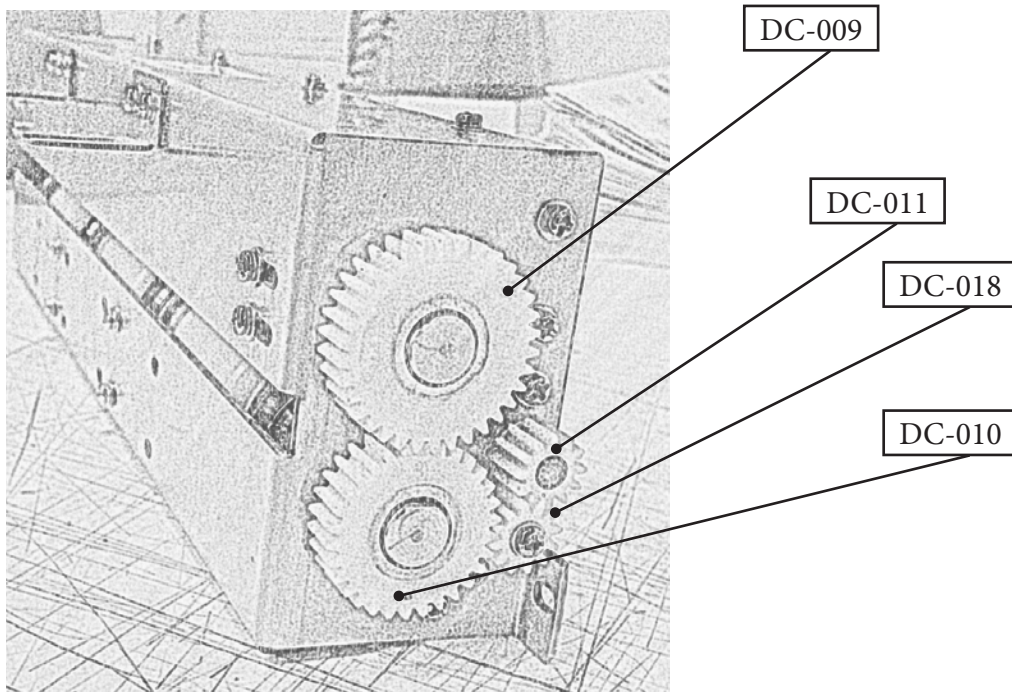
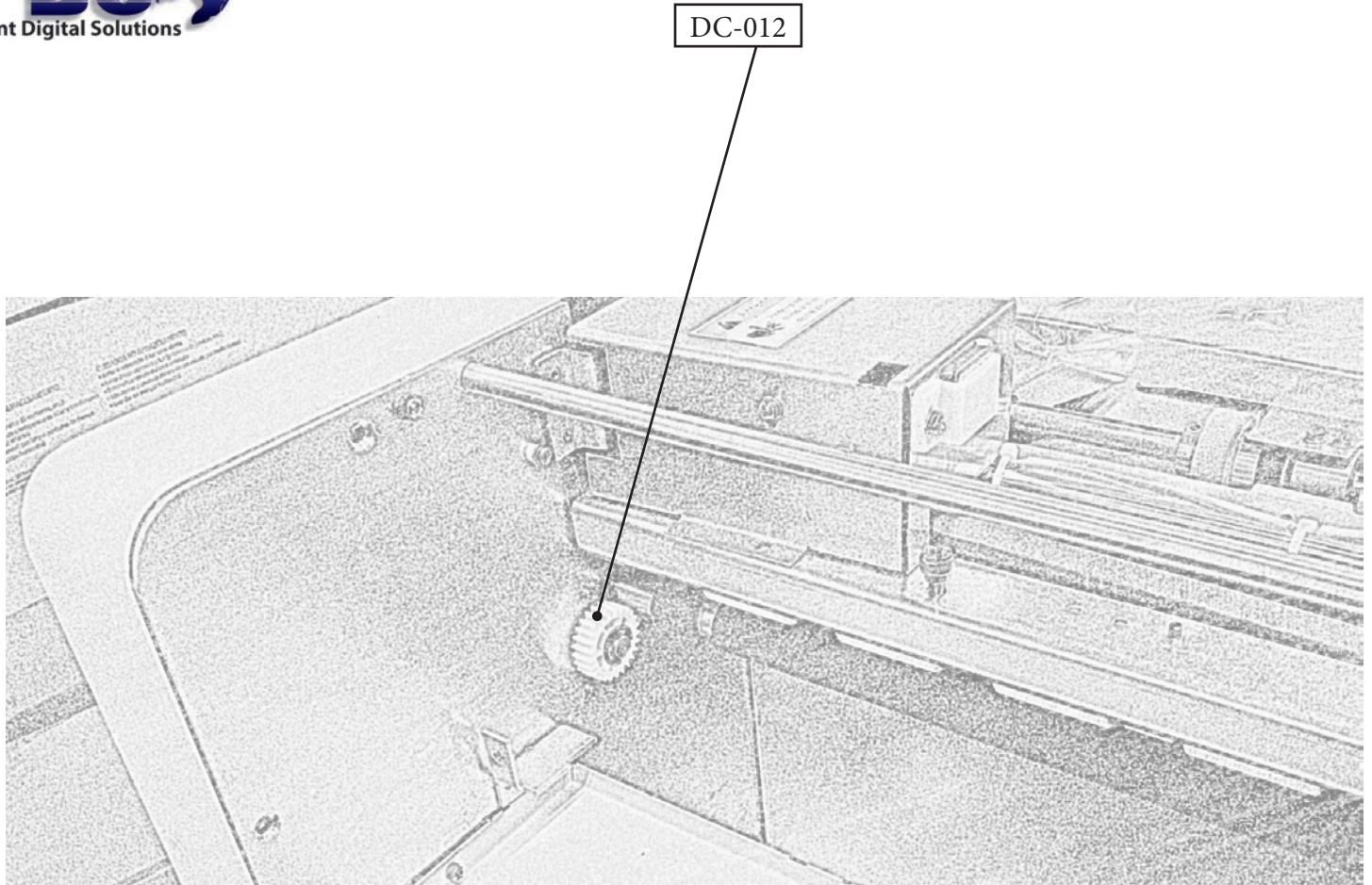


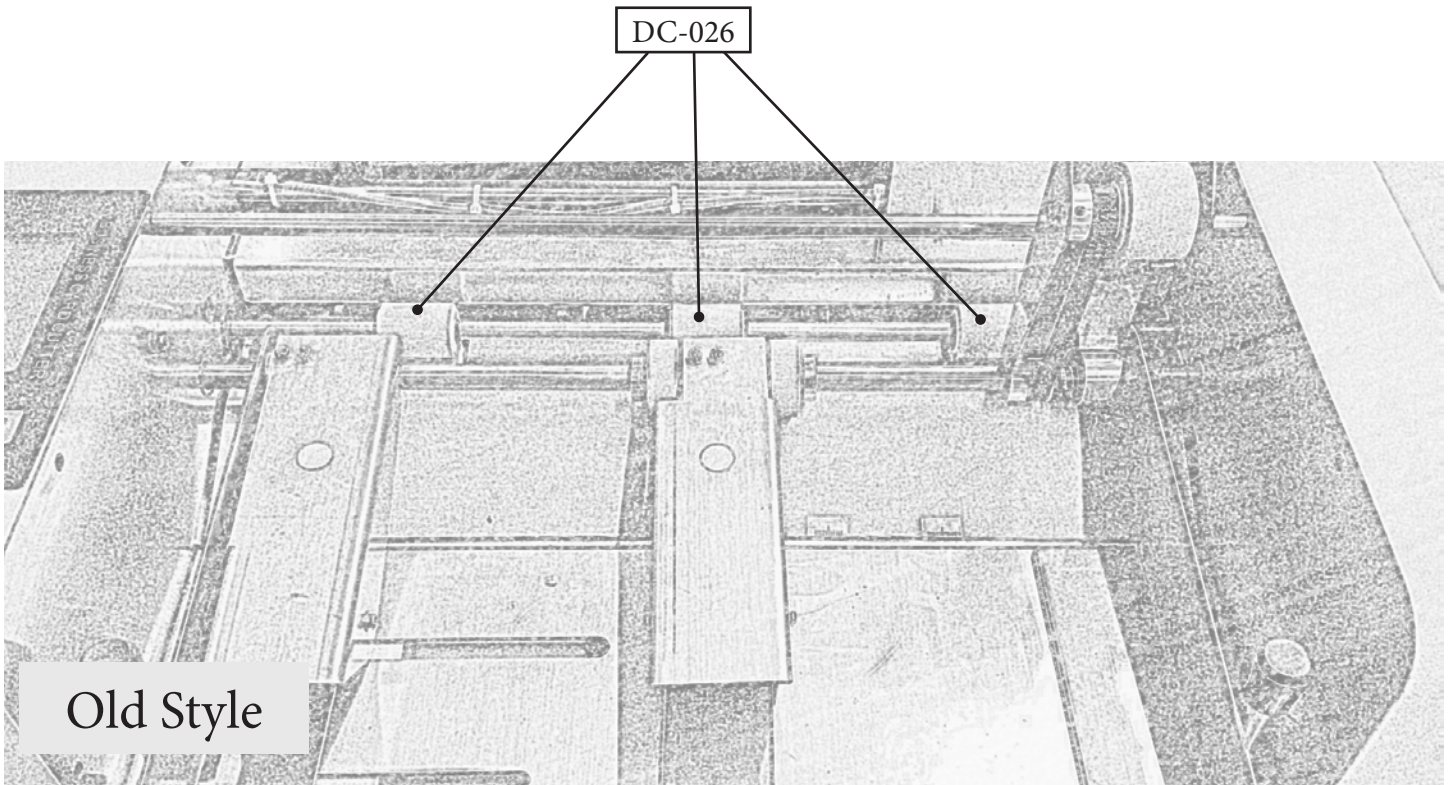
DIGICUT 24

Parts Manual



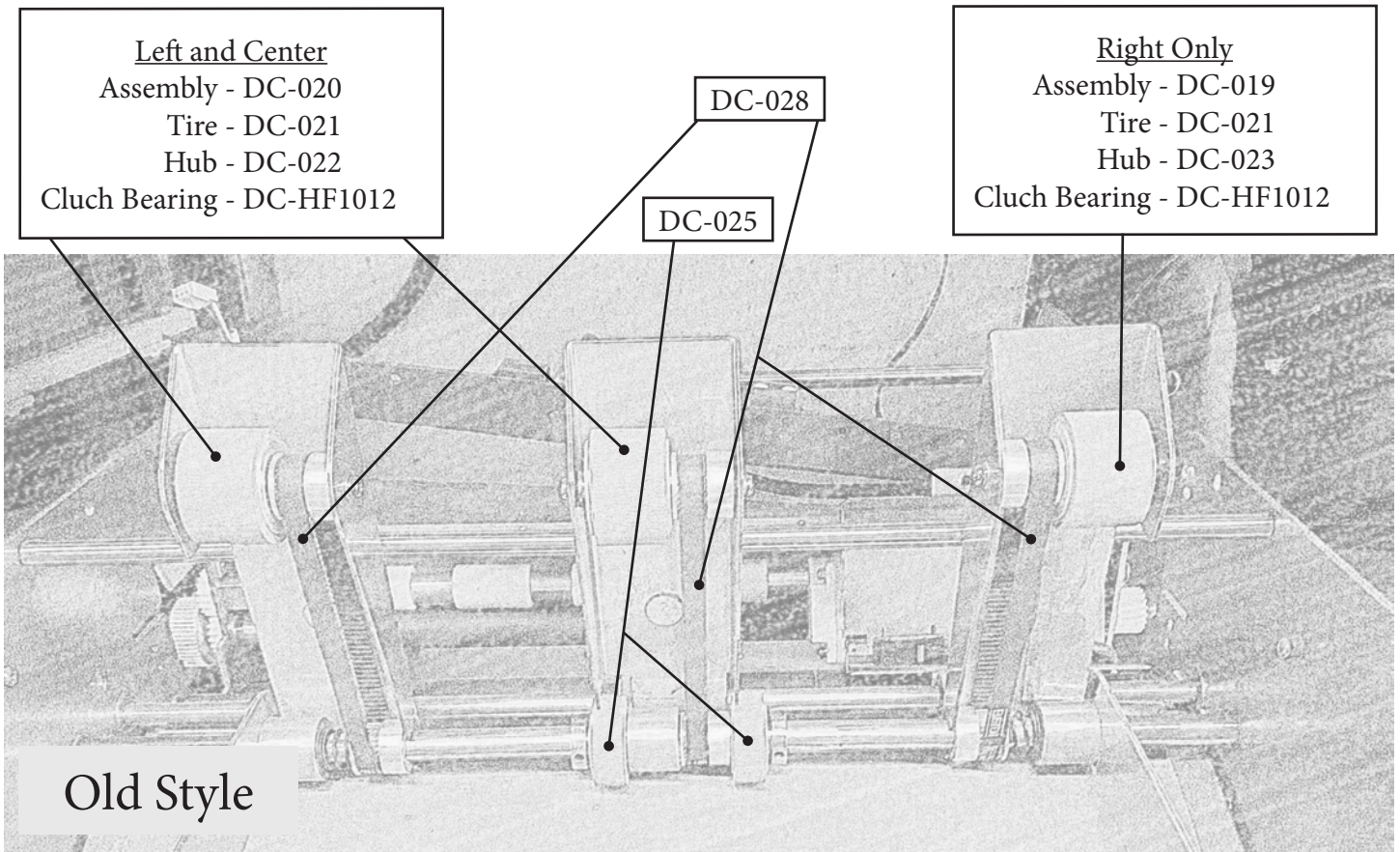






DC-026

Old Style



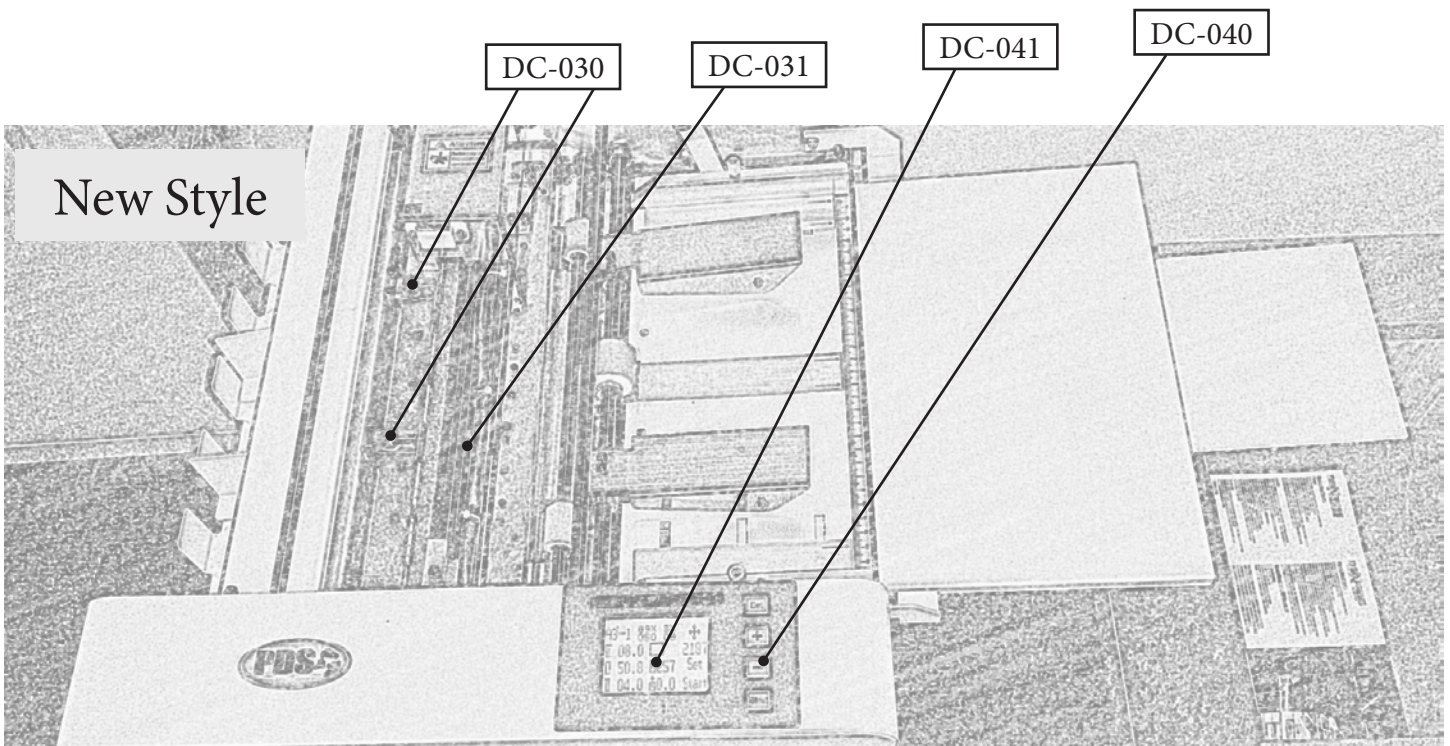
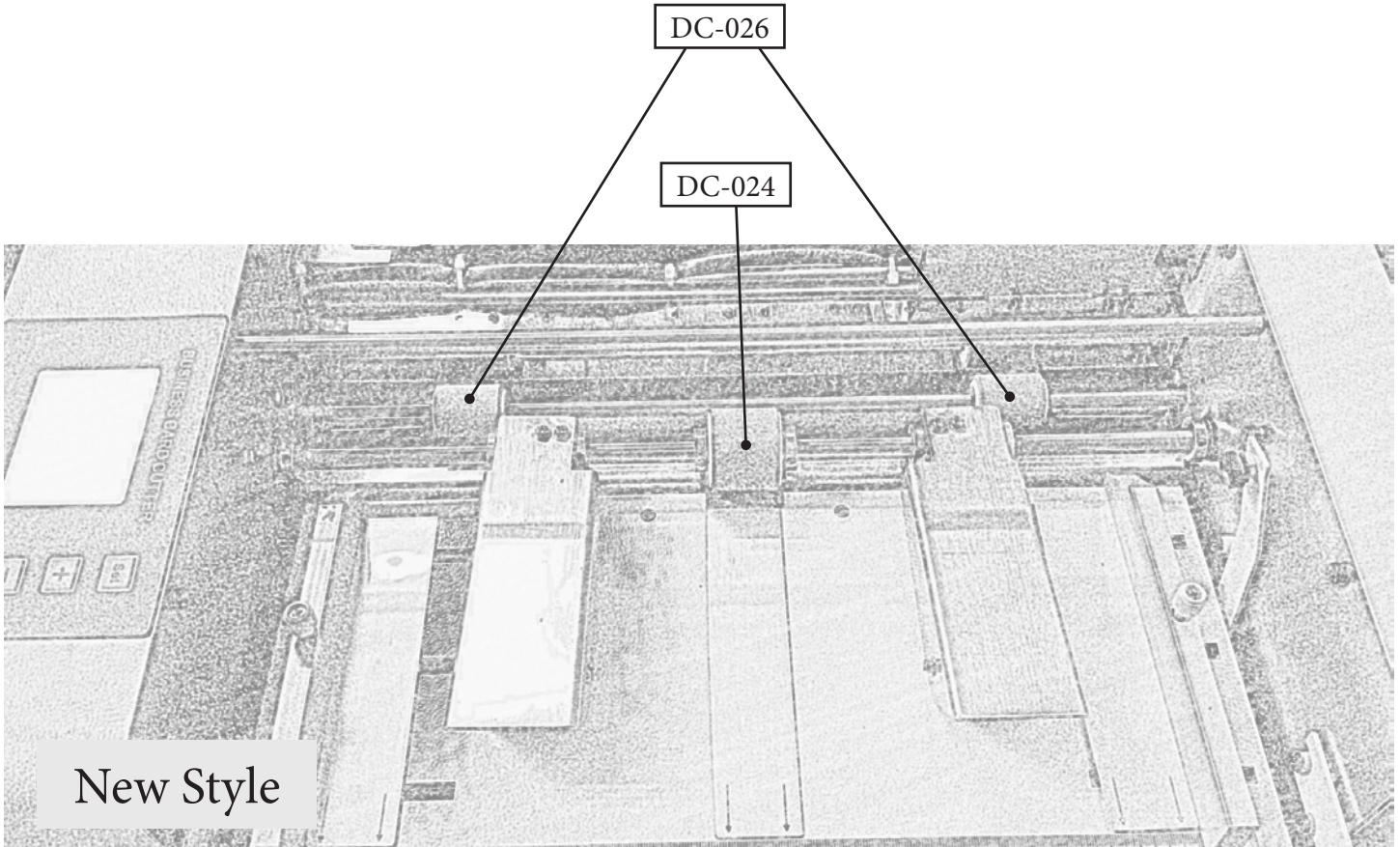
Left and Center
 Assembly - DC-020
 Tire - DC-021
 Hub - DC-022
 Cluch Bearing - DC-HF1012

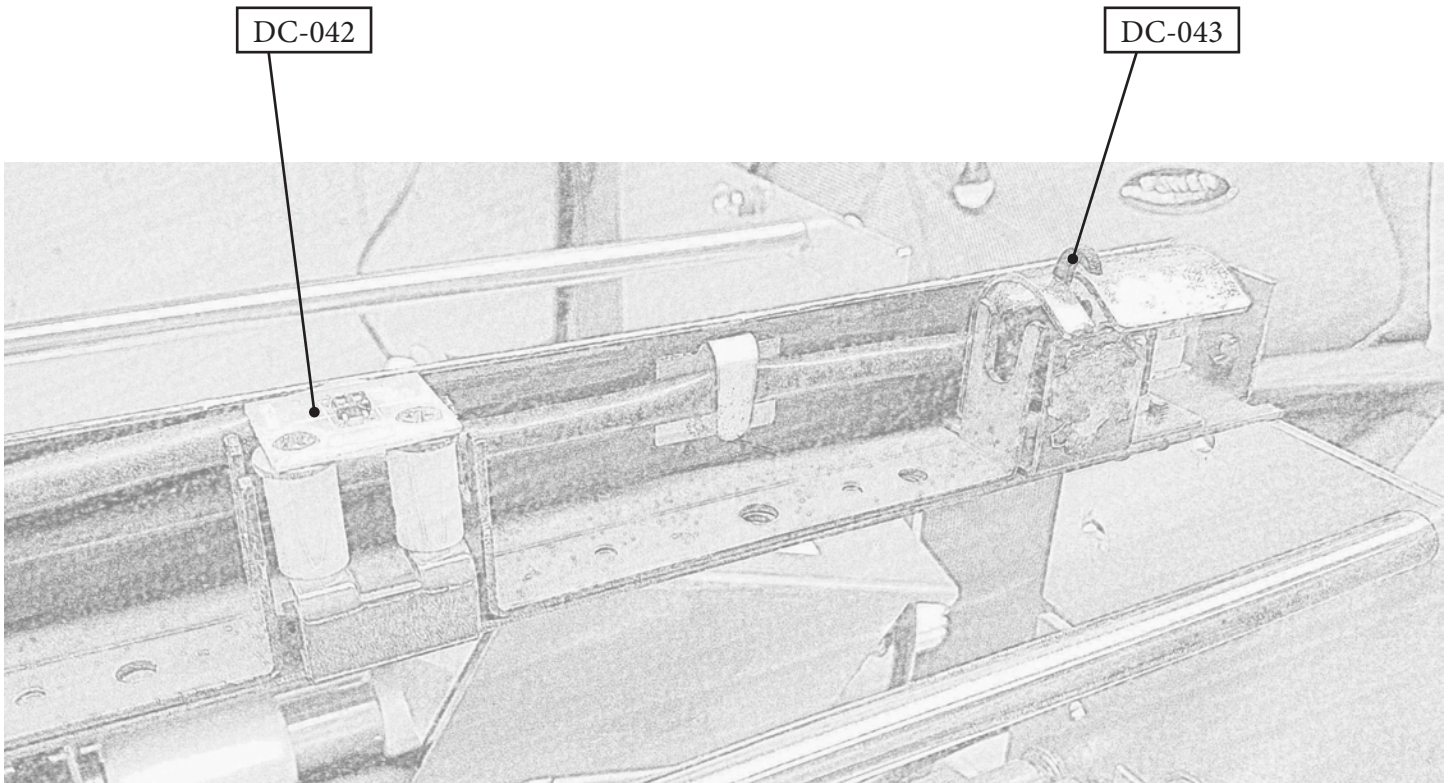
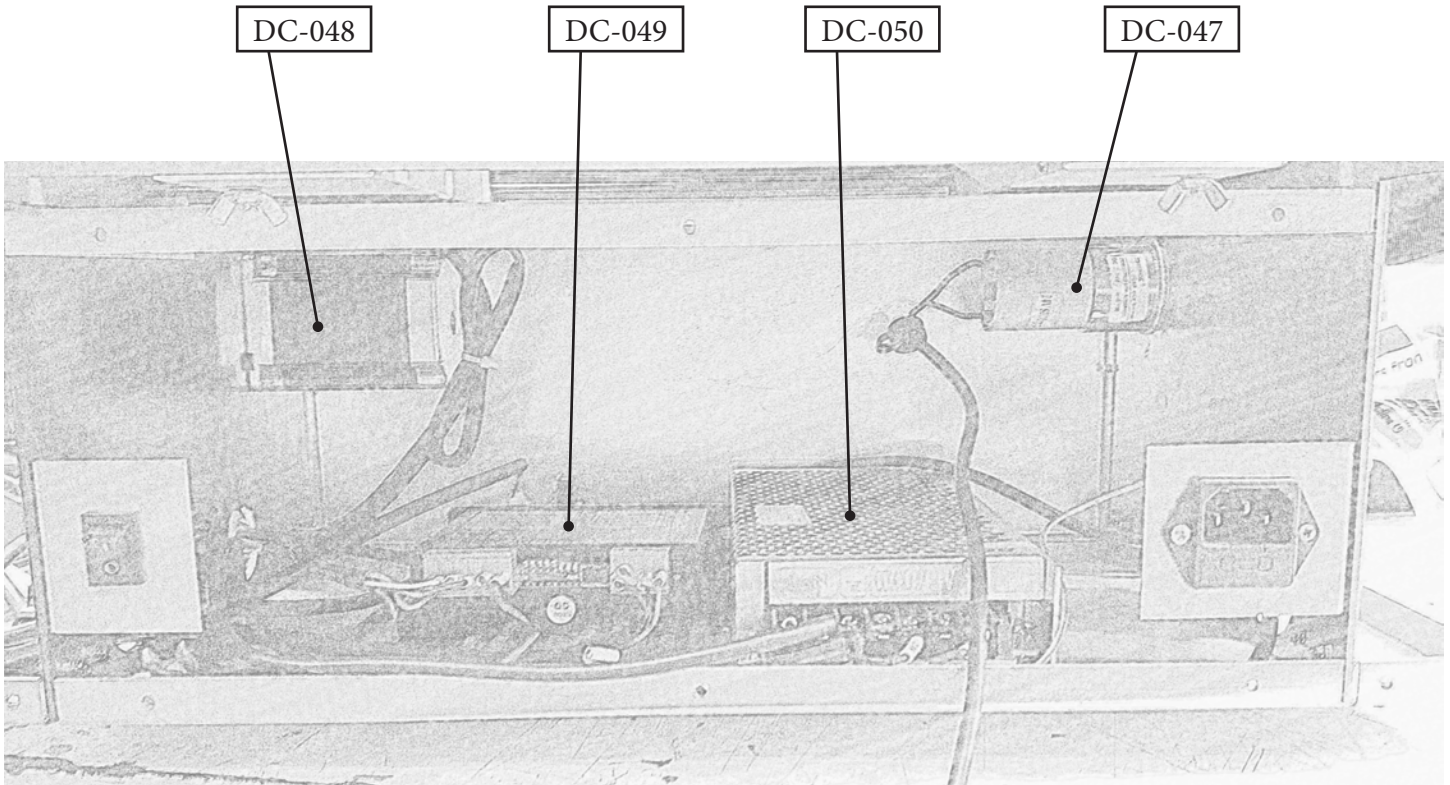
Right Only
 Assembly - DC-019
 Tire - DC-021
 Hub - DC-023
 Cluch Bearing - DC-HF1012

DC-028

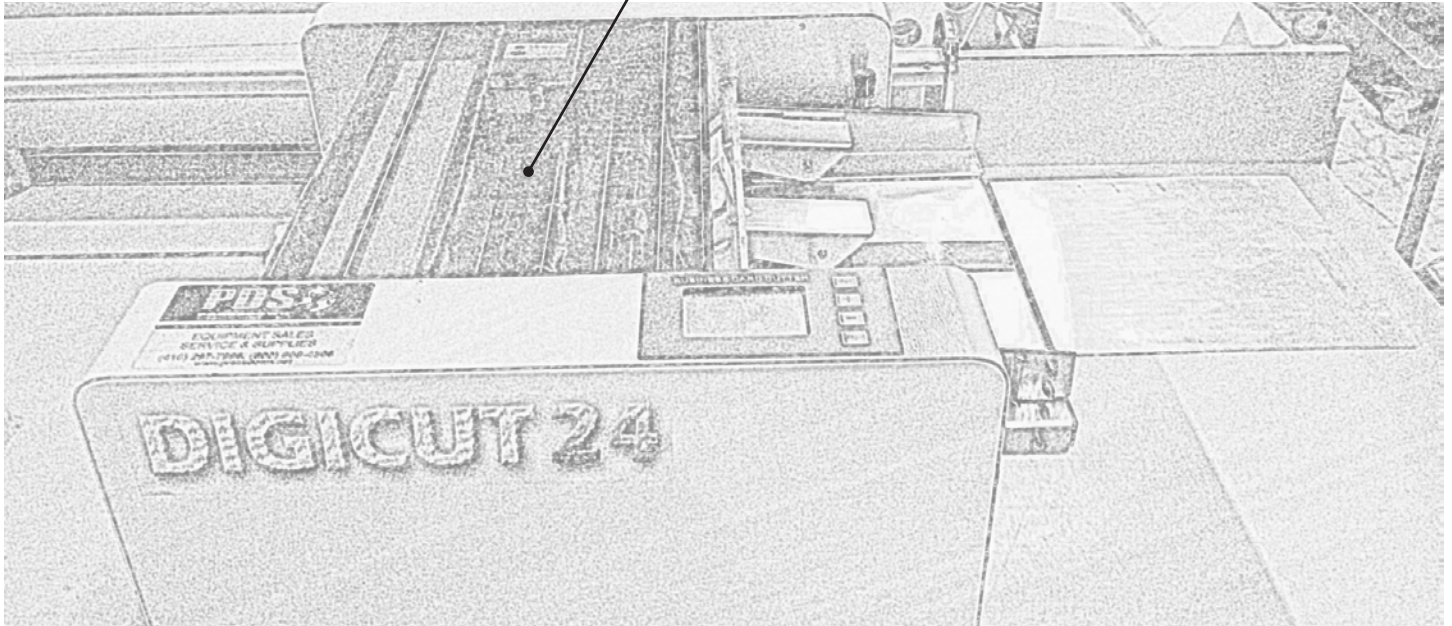
DC-025

Old Style





DC-100



Part No.	Discription	Part No.	Discription
DC-001	Gear	DC-030	Thum Screws - Die Cartridge
DC-002	Gear	DC-031	Knife Assembly
DC-003	Gear	DC-040	Control Panel
DC-004	Gear	DC-041	Touch Screen
DC-005	Gear	DC-042	Sensor - Mark Raeder
DC-006	Gear	DC-043	Sensor - Paper
DC-007	Gear	DC-044	Relay Base - Knife Relay
DC-008	Gear	DC-045	Relay - Knife
DC-009	Gear	DC-046	Motor - Knife
DC-010	Gear	DC-047	Motor - Main - Infeed
DC-011	Gear	DC-048	Motor - Paper Feed - Stepper
DC-012	Gear	DC-049	Drive Board - Stepper Controller
DC-013	Gear	DC-050	Power Supply
DC-014	Gear	DC-100	Cover - Safety - Plastic
DC-015	Gear - Aluminum	DC-HF1012	Cluch Bearing
DC-016	Hub	DC-HF0816	Cluch Bearing
DC-017	Bearing		
DC-018	Shaft		
DC-019	Feed Tire Assembly - Right Side		
DC-020	Feed Tire Assembly - Left Side (and Center Old Style)		
DC-021	Tire - Feed		
DC-022	Hub - Feed Tire Left and Center		
DC-023	Hub - Feed Tire Right		
DC-024	Tire - Feed (Center New Style)		
DC-025	Tire - Feed (Center Old Style)		
DC-026	Tire - Feed		
DC-027	Belt - Main Drive		
DC-028	Belt - Infeed Tires		