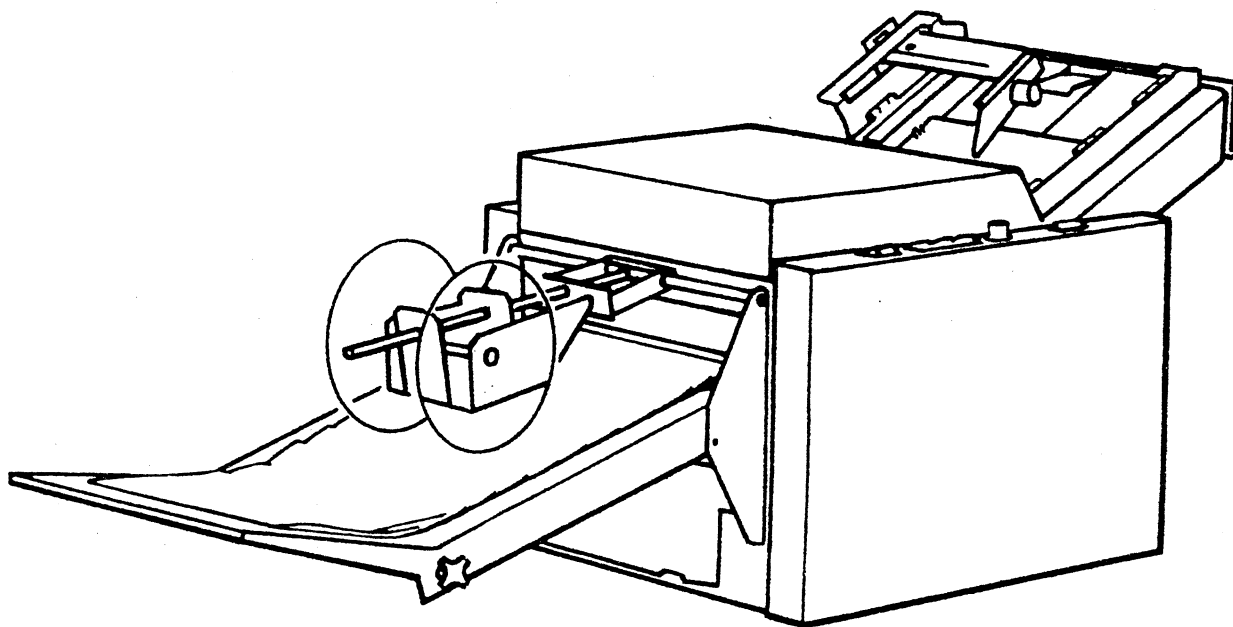


---

# BOOKLET-PRO 6100

## SPARE PARTS LIST



**IBM**

CORPORATION

March 1994

3134 Industry Drive, North Charleston, South Carolina, 29418, USA

This part list is divided into one **Model 60** and one **Model 61** section. The Model 60 section contains both common parts and parts only existing in the Model 60.

The unique Model 60 parts are indicated by "Model 60" in the "Note"-column.

The unique Model 61 parts are shown in section 2.

The quantity indicated in the "Qty"-column is the **total** number of this part in the machine.

**Part numbers** in this Model 60/61 Spare parts list are different from the old PL 60 Spare parts list.

In order to find the corresponding part numbers, please use the "**Cross-reference list for Model 60/61**", part number 60121.

Unfortunately some of the **serial number** labels on the Model 60 have one "0" misplaced.

These serial numbers are from 60608000 to 60809699.

The correct serial numbers are 60068000 to 60089699.

We regret this error and hope that it will not bring you too much trouble.

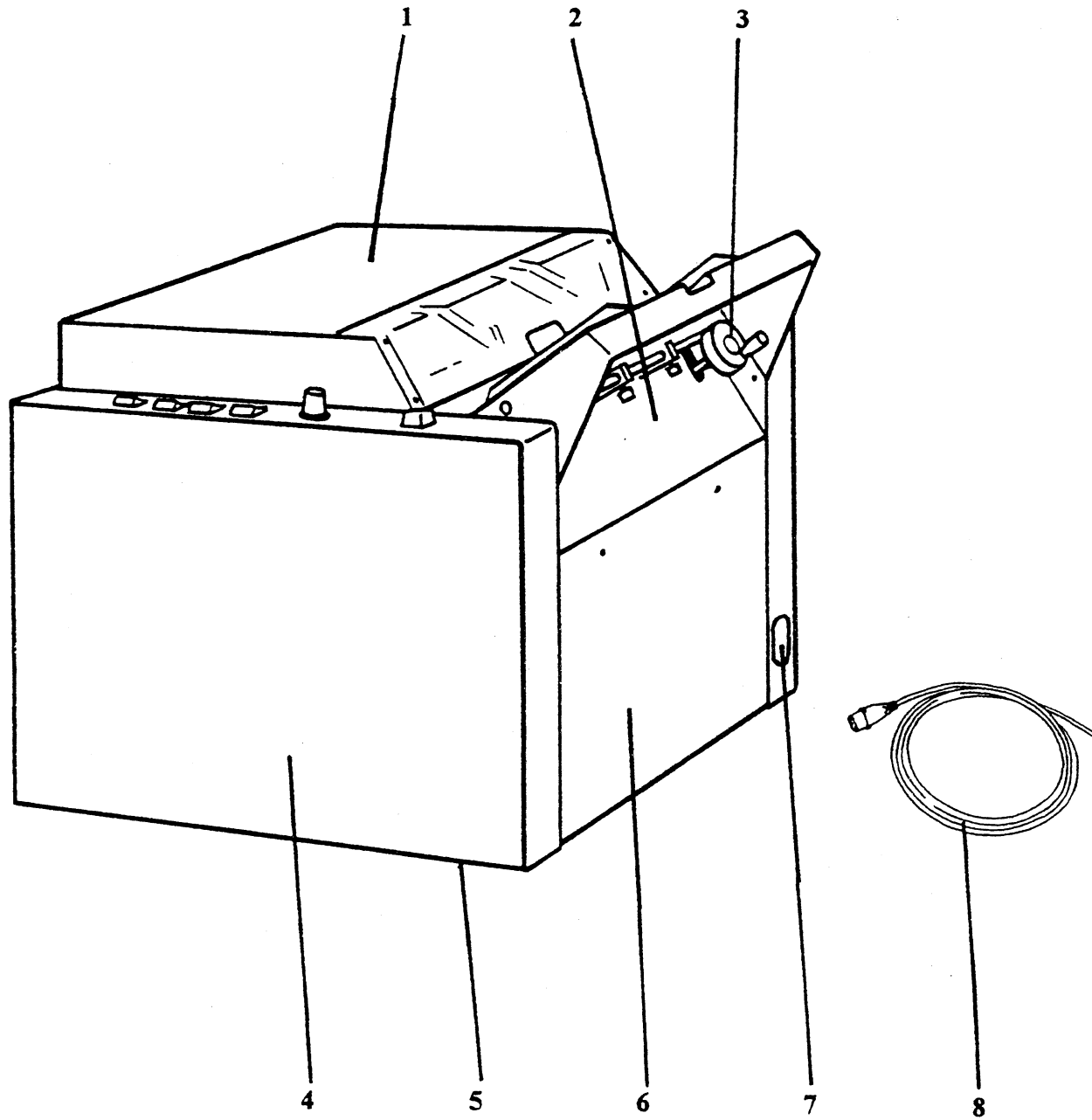
# PARTS LIST SECTION

127864 RM

<u>TITLE</u>	<u>PAGE</u>	
<b><u>SECTION 1: MODEL 60 / COMMON PARTS:</u></b>		
Outer Front view	1.2	NOVEMBER -94
Outer Rear view	1.4	NOVEMBER -94
Inside Top cover	1.6	NOVEMBER -94
Inner top view	1.8	NOVEMBER -94
Stapler head assembly	1.10	NOVEMBER -94
Stapler linkage	1.12	NOVEMBER -94
Stapler stop	1.14	NOVEMBER -94
Fold knife	1.16	NOVEMBER -94
Fold rollers	1.18	NOVEMBER -94
Transmission	1.20	NOVEMBER -94
Conveyor belt stacker (upper view )	1.22	NOVEMBER -94
Conveyor belt stacker (lower view )	1.24	NOVEMBER -94
Delivery tray	1.26	NOVEMBER -94
Electrical components	1.28	NOVEMBER -94
PCB and Front panel	1.30	NOVEMBER -94
<b><u>SECTION 2: MODEL 61 PARTS:</u></b>		
Inner top view, Model 61	2.2	NOVEMBER -94
Infeed view, Model 61	2.4	NOVEMBER -94
Infeed Idler arm, Model 61	2.6	NOVEMBER -94
Rear Jogger assembly, Model 61	2.8	NOVEMBER -94
Jogger linkage, Model 61	2.10	NOVEMBER -94
Stapler stop, Model 61	2.12	NOVEMBER -94
PCBs and Front panel, Model 61	2.14	NOVEMBER -94

# Outer Front view

T27005 RM



# Outer Front view

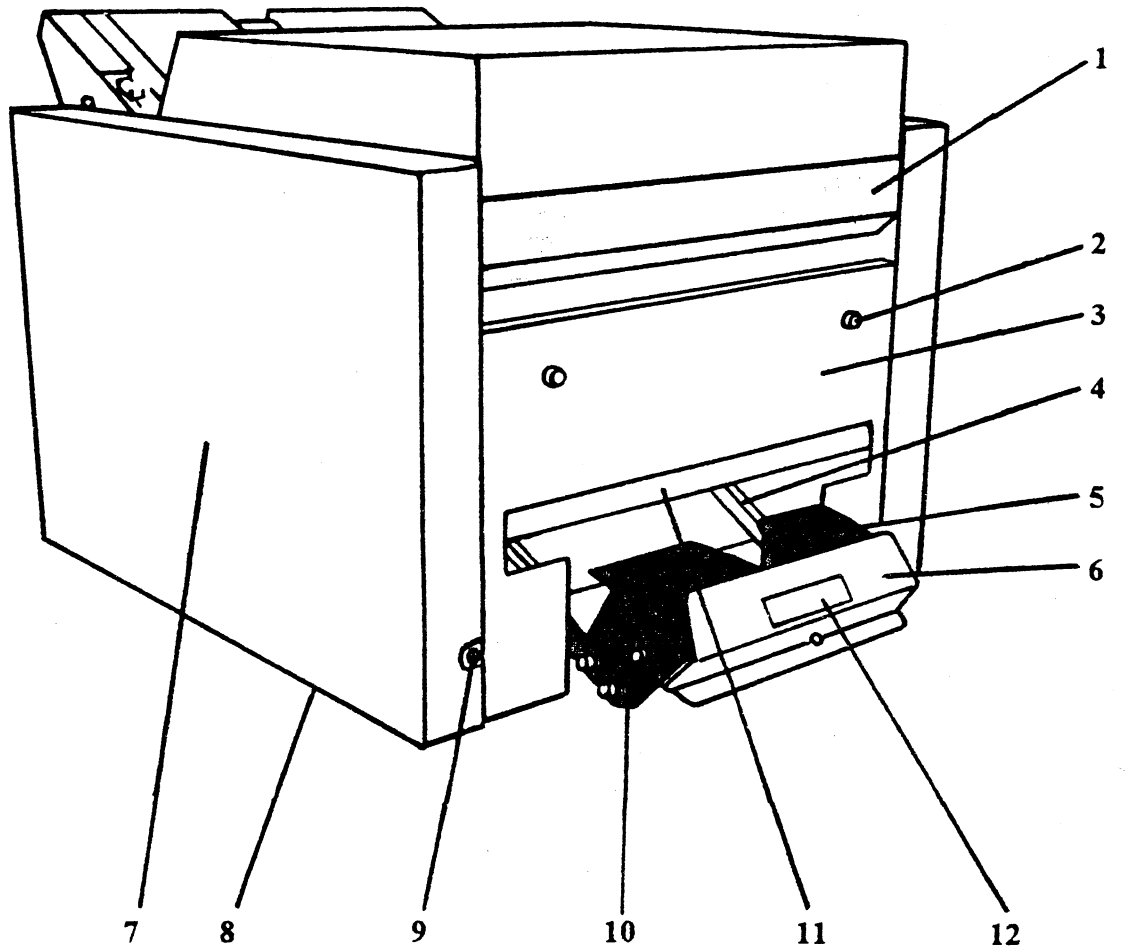
T27005 RM

---

Item	Part no.	Qty.	Description	Note
1	600134	1	Top cover	50 Hz
	600149	1	Top cover	60 Hz
2	60735	1	Cover, upper front	Model 60 only
3	60592	1	Hand wheel	
4	611005	1	Cover, left	
5	607029	4	Stud	
6	60629	1	Cover, Lower infeed	
7	601049	1	Receptacle	50 Hz
	611007	1	Receptacle	60 Hz
8	60521	1	Power cord	50 Hz
	80116	1	Power cord	50 Hz, for 601049
	80175	1	Power cord	60 Hz, for 611007
	80922	1	Power cord	UK
	88530	1	Power cord	UK, for 601049
	60520	1	Cable bearer	For units without Receptacle
	60524	1	Fuse holder	For units without Receptacle

# Outer Rear view

T27005 RM

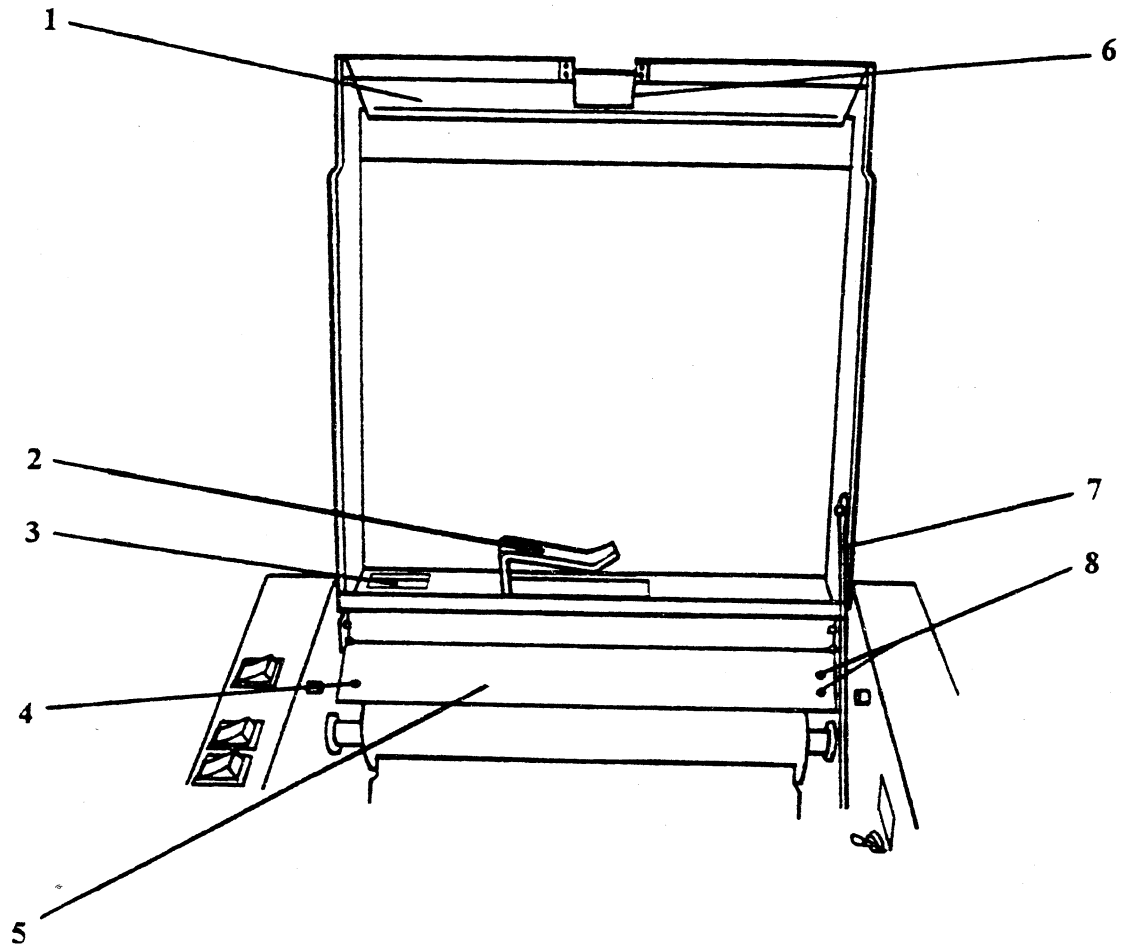


## Outer Rear view

T27005 RM

---

Item	Part no.	Qty.	Description	Note
1	60716	1	Paper guide, outfeed	
2	60749	2	Bracket for stacker	
3	60736	1	Cover, rear	
4	60619	2	Bar, fold stop	
5	60617	1	Frame, fold stop	
6	60618	1	Fold stop	
7	611006	1	Cover, right	
8	607029	4	Stud	
9	80520	1	Outlet	
10	60620	1	Spring	
11	61098	1	Paper path, lower	
12	60769	1	Label, "Do not lift..."	





# Inside Top cover

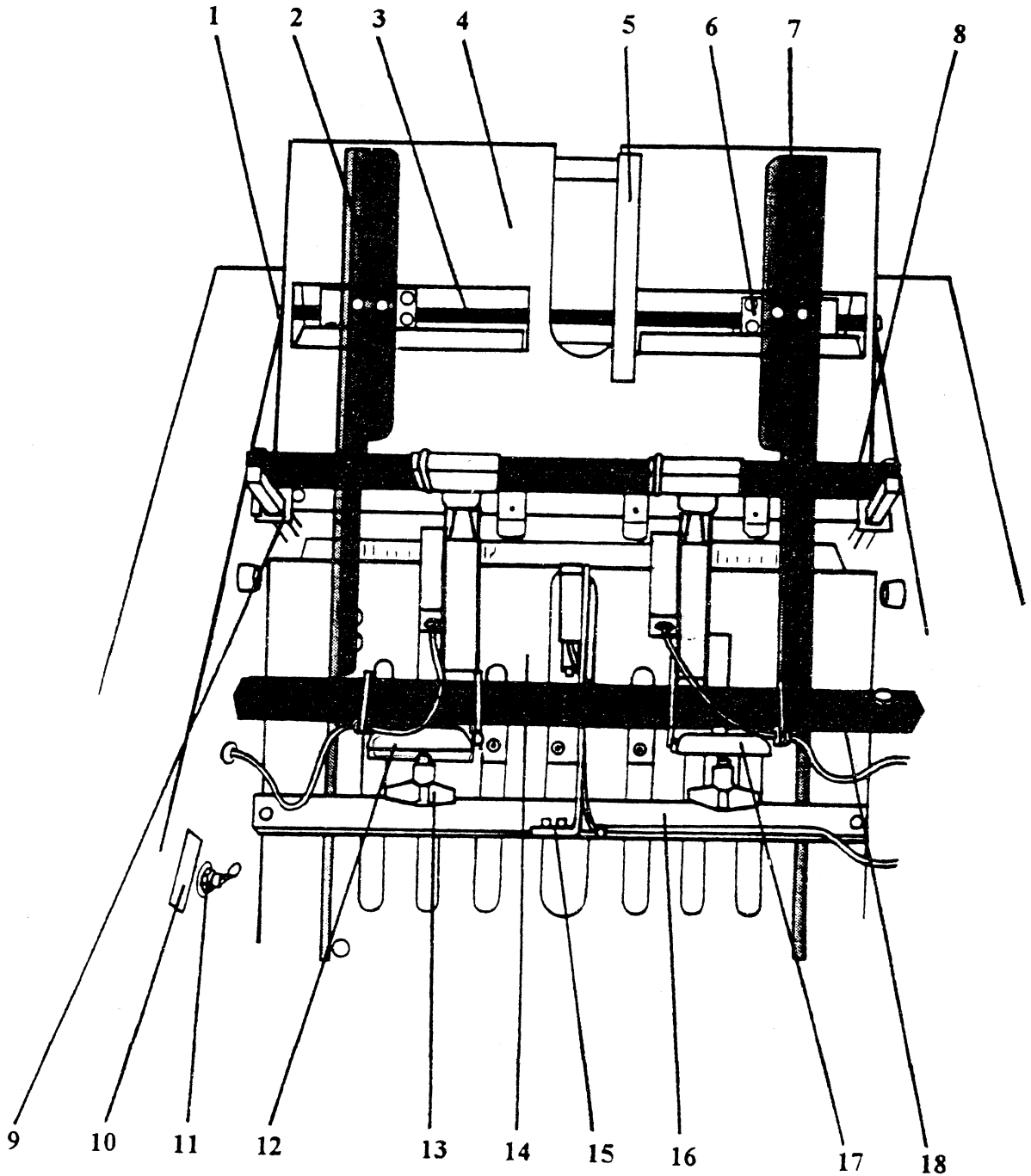
T27005 RM

---

Item	Part no.	Qty.	Description	Note
1	607026	1	Cover, plastic	50 Hz
	611004	1	Cover, plastic	60 Hz
2	60720	1	Clamp	
3	88702	1	Label, modification	
4	60774	1	Key, hexagon 2 mm	
	60562	3	Grommet	
5	60716	1	Paper guide, outfeed	
6	60718	1	Safety bracket	
7	60741	1	Bar, top cover	
8	607030	2	Stop pin, for corner / edge stapling	

# Inner Top view

T27005 RM



# Inner Top view

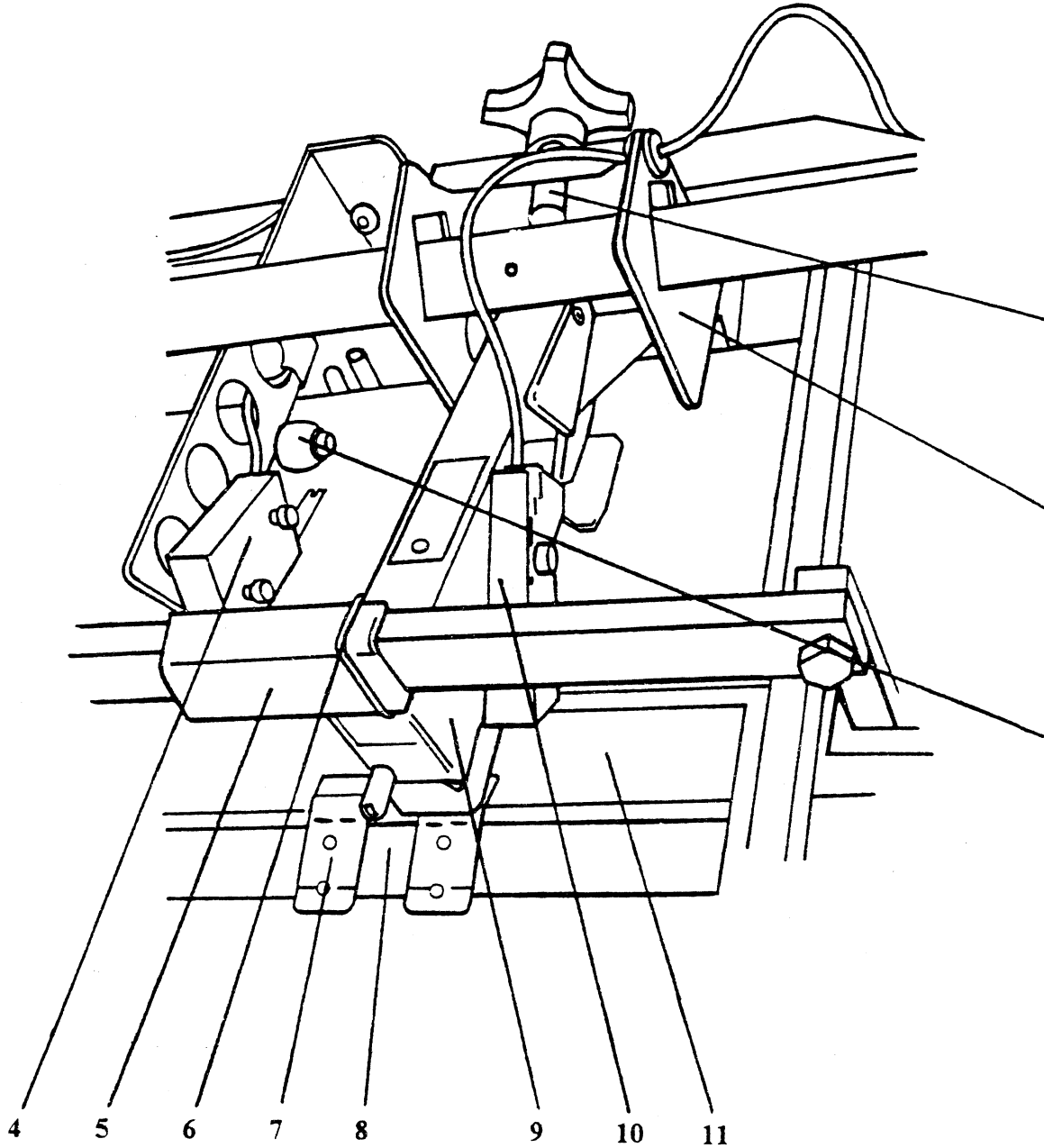
T27003 RM

---

Item	Part no.	Qty.	Description	Note
1	60763	2	Countersunk washer	
	Not spared	2	Washer	
2	60672	1	Paper guide, right	Model 60 only
3	60747	1	Shaft, Paper guide	Model 60 only
4	600126	1	Paper path, upper	Incl. 60684, Model 60 only
5	60684	1	Scale, length adjustment	
6	60671	2	Guider, paper guide	Model 60 only
	60673	2	Holder, paper guide	Model 60 only
	60674	2	Screw, guider	Model 60 only
7	60682	1	Paper guide, left	Model 60 only
8	60750	1	Bar, Upper stapler	
9	60512	8	Bearing, connecting rod	Brass
	99011	8	Screw, M5x20	Brass
10	60558	1	Label, Single/double switch	
11	60560	1	Indication Switch, Single/double	SW 13
12	60546	1	Holder, Stapler head	Right
13	60551	2	Knob	
14	61099	1	Paper path, middle	
15	60580	1	Bracket, Idler roller	
16	60579	1	Bracket, Idler bracket	
17	60545	1	Holder, Stapler head	Left
18	60548	1	Stapler girder	

# Stapler head assembly

T207006 RA



# Stapler head assembly

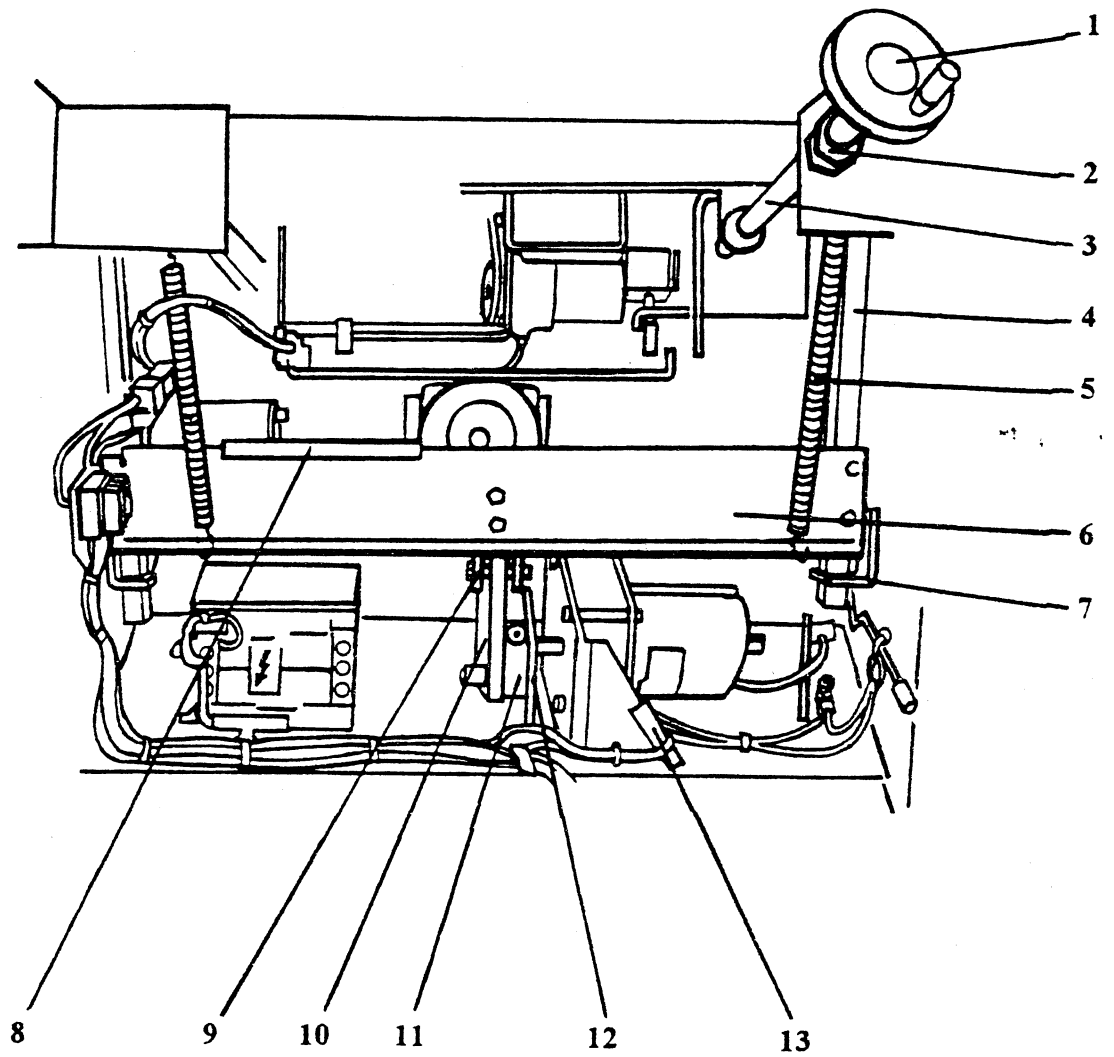
T207006 RM

---

Item	Part no.	Qty.	Description	Note
1	60549	2	Thrust socket	
2	60546	1	Holder, Stapler head	Right
	60545	1	Holder, Stapler head	Left
3	60593	1	Idler roller	
4	607017	1	Switch assembly	SW 10
5	607045	2	Lifting clamp, for 10 mm bar	To Serial no. 60073730
	60732	2	Lifting clamp, for 8 mm bar	From Serial no.60073731 (Read "User information" page i.i)
6	60765	2	O-ring	
7	60572	5	Anvil	
8	60571	1	Bar, Anvil	
9	607001	2	Stapler head	Incl. 607049
	60553	2	Stapler head	
10	607049	2	Stapler detection switch	SW 11(R),SW 12(L)
	60563	2	Ball, detection	
	60554	2	Cover, switch	
	60557	2	Insulator, switch	
11	60714	1	Scale	Model 60 only

# Stapler linkage

T207006 RM



# Stapler linkage

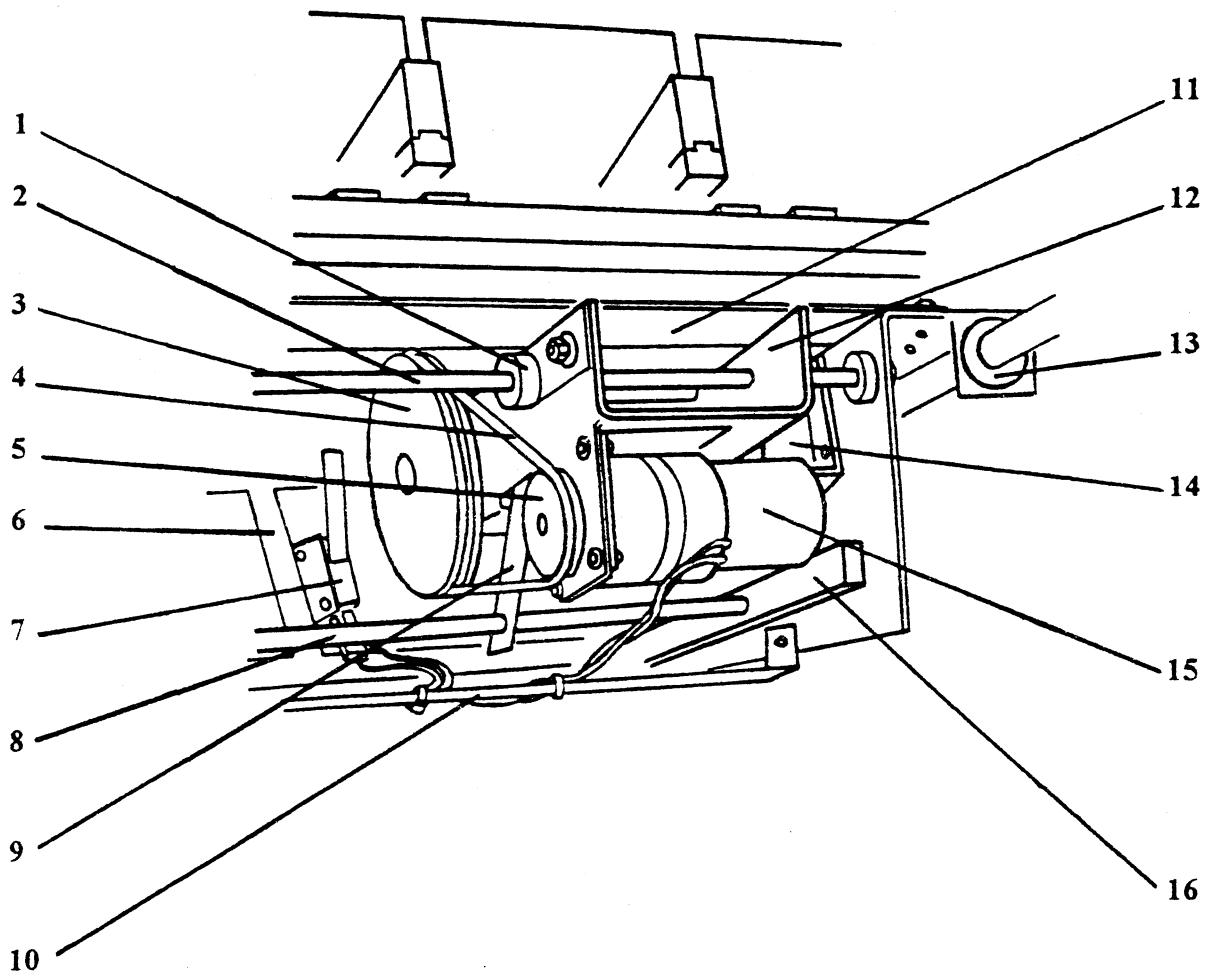
T207006 RM

---

Item	Part no.	Qty.	Description	Note
1	60592	1	Hand wheel	
2	Not spared	2	Nut M10 mm	
3	60591	1	Guide shaft	
4	60748	2	Pull rod, stapler	
5	60895	2	Spring	Model 60 only
6	60738	1	Bracket, connecting rod	
7	60512	8	Bearing, connecting rod	Brass
	99011	8	Screw, M5x20	Brass
8	60514	1	Edge strip	
9	60739	1	Bracket, crank shaft	
10	60702	1	Crank shaft	
11	606003	2	Crank assembly	
12	60701	1	Bracket, stapling support	
	60508	1	Flange bearing	
13	60599	1	Edge strip	

# Stapler stop

T27007 RM





# Stapler stop

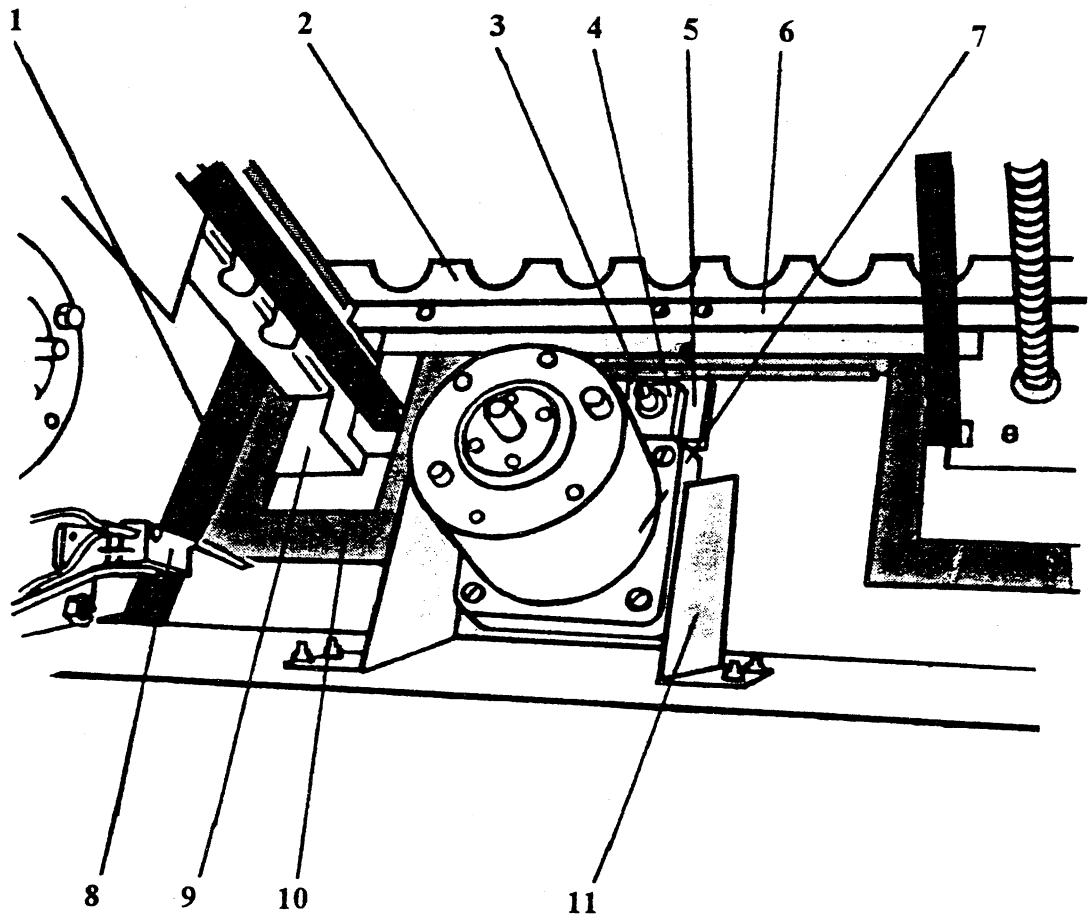
T27007 RM

---

Item	Part no.	Qty.	Description	Note
1	60852	2	Collar	
2	60589	1	Shaft, upper for link	
3	60590	1	Pulley	
4	60603	1	O-ring	
5	80744	1	Pulley	
6	604007	1	Stapler stop assembly	Model 60 only
7	604005	1	Switch, automatic start	SW 9
8	60587	1	Shaft, lower for link	
9	60578	1	Link	
10	60574	1	Spacer bar	
11	60581	1	Sledge	
12	60576	1	Cradle	
13	Not spared	1	Washer 10x22x2 mm	Plastic
14	607016	1	Solenoid assembly	
	60582	1	Solenoid clutch	
15	806019	1	Motor assembly	
16	60585	1	Link, swing	

# Fold knife

T27007 RM



# Fold knife

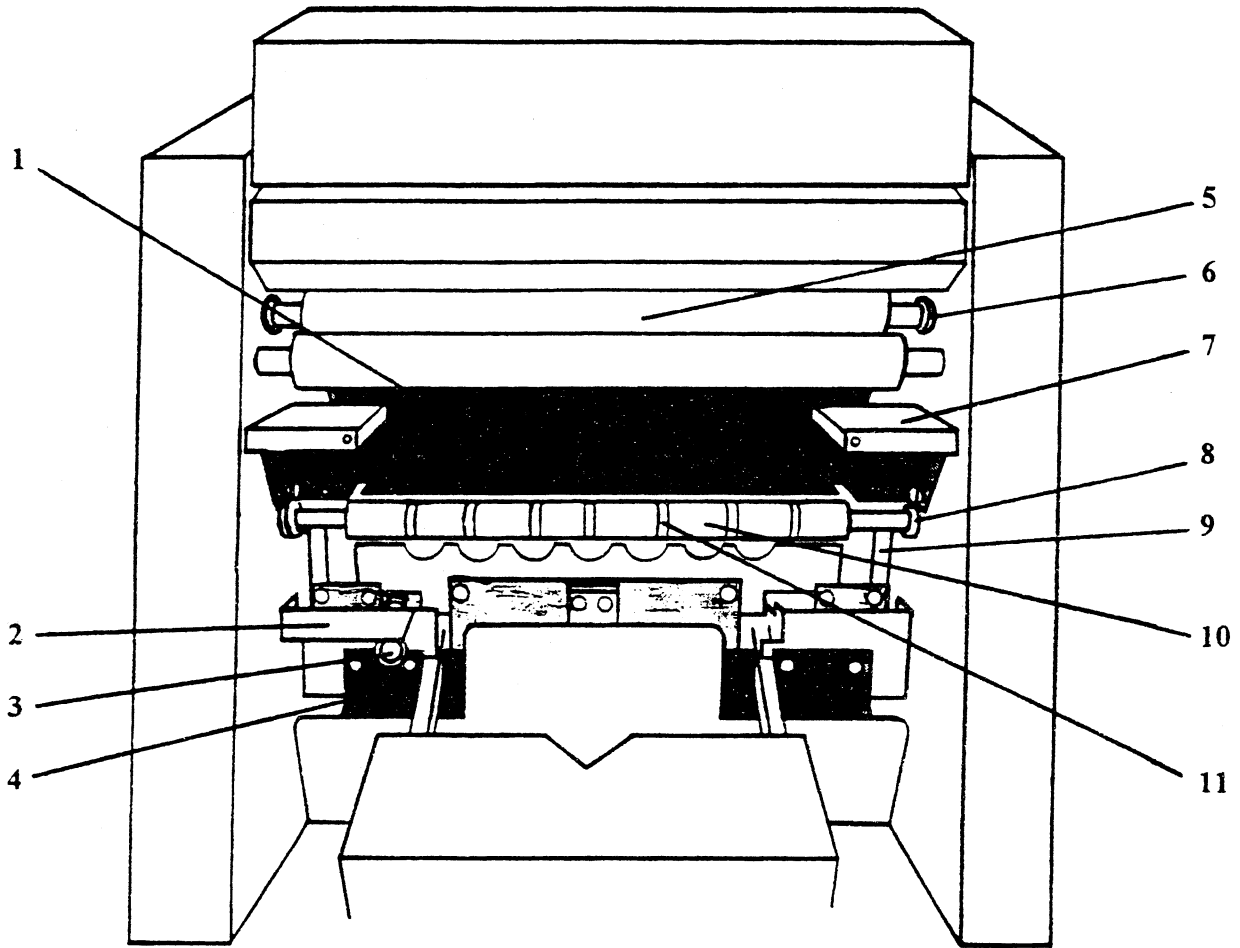
T27007 RM

---

Item	Part no.	Qty.	Description	Note
1	60541	2	Guide, fold knife	
2	60540	1	Knife blade (9 notches) For Fold roller 603042	To Serial nr. 60121063
	60105	1	Knife blade (7 notches) For Fold roller 603049	From Serial nr.60121064
3	60508	1	Bushing	
	60507	1	Pin	
	60510	1	Retaining ring	
4	60505	1	Crank shaft	
5	60542	1	Bracket, crank shaft ass.y	
6	60509	1	Knife support	
7	606003	1	Crank assembly	
	60503	1	Support, knife motor	
	60529	1	Flanged bushing	
8	602017	1	Switch, Knife home pos.	SW 8
9	60532	1	Guide plate	
10	60539	1	Bracket, fold knife	
11	60502	1	Bracket, fold knife motor	

# Fold rollers

T27007 RM



# Fold rollers

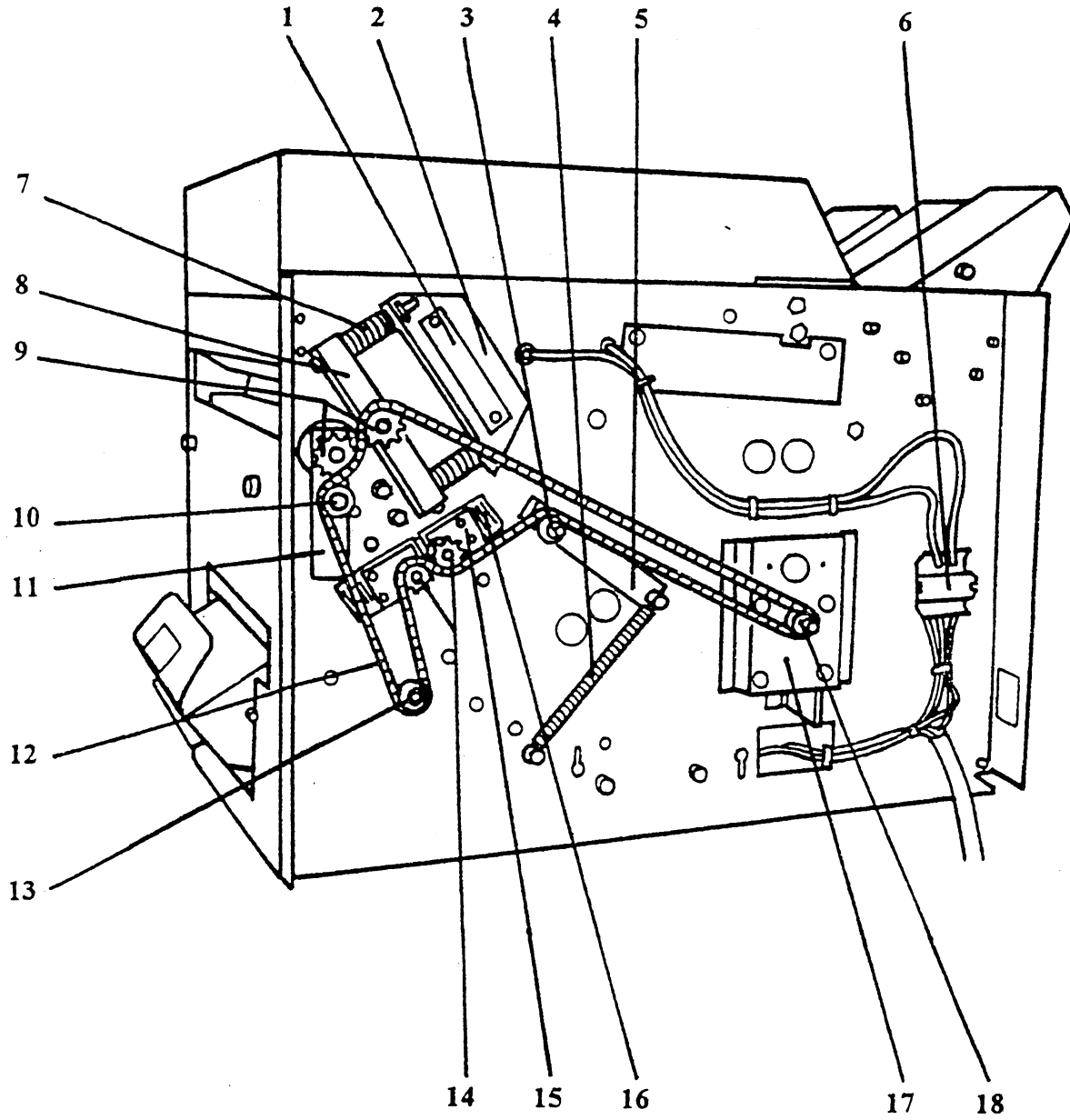
T27007 RM

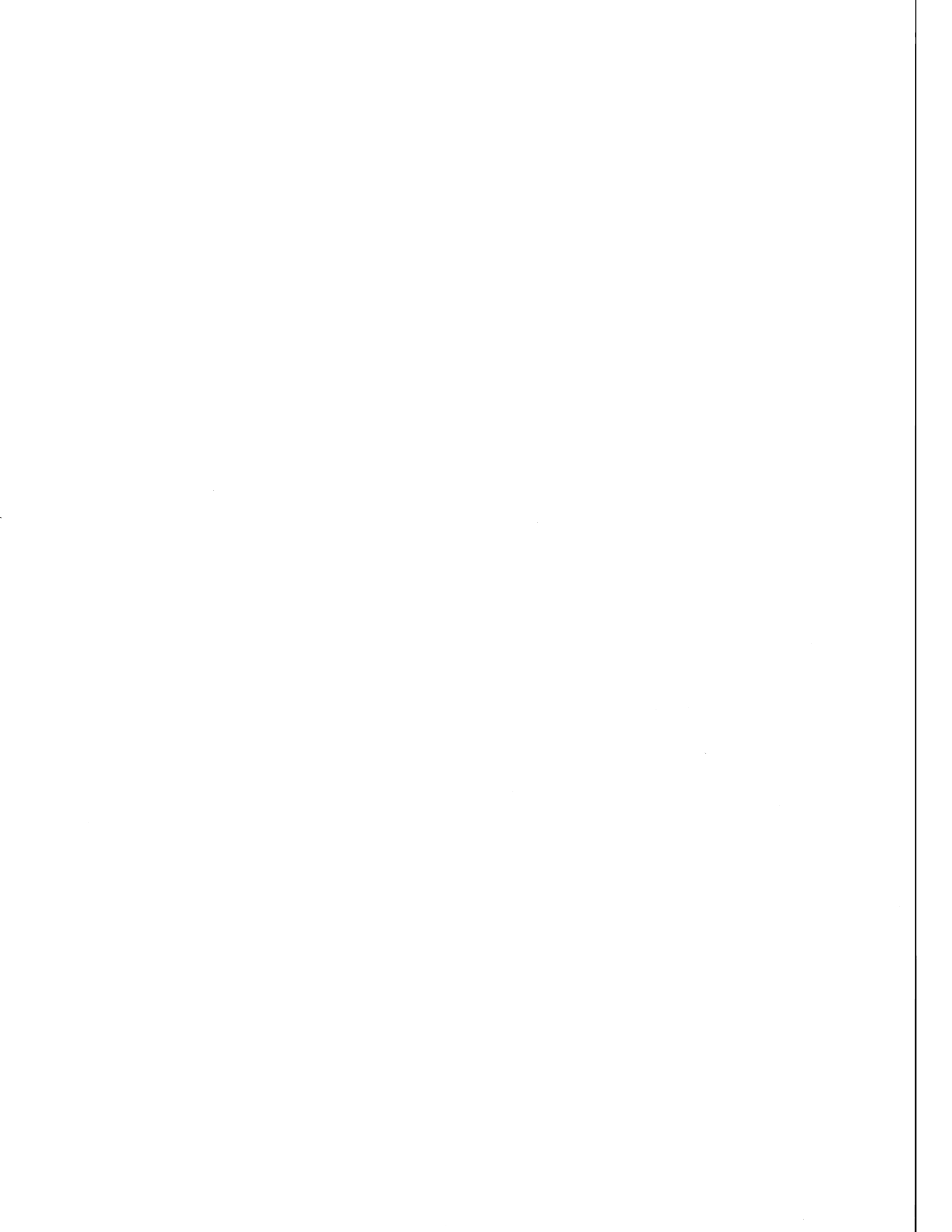
Item	Part no.	Qty.	Description	Note
1	60740	2	Guide plate	
2	60528	1	Guide bracket	Rear right
3	Not spared	1	Nut M10	Self locking
4	60733	1	Guide supporter	
5	600125	2	Fold roller step 2	
6	60508	2	Flanged bushing	
7	60744	2	Stop for back	
8	60853	4	Flanged bushing	
9	60541	2	Guide bar, knife	
10	603042	2	Fold roller step 1	Incl. 9 pcs. 60681 Up to Serial nr. 60121063
	603049	2	Fold roller step 1	Incl. 7 pcs. 60681 From Serial nr. 60121064
11	10 60681	7,9	Rubber ring	Qty. is depending on knife model



# Transmission

T27007 RM







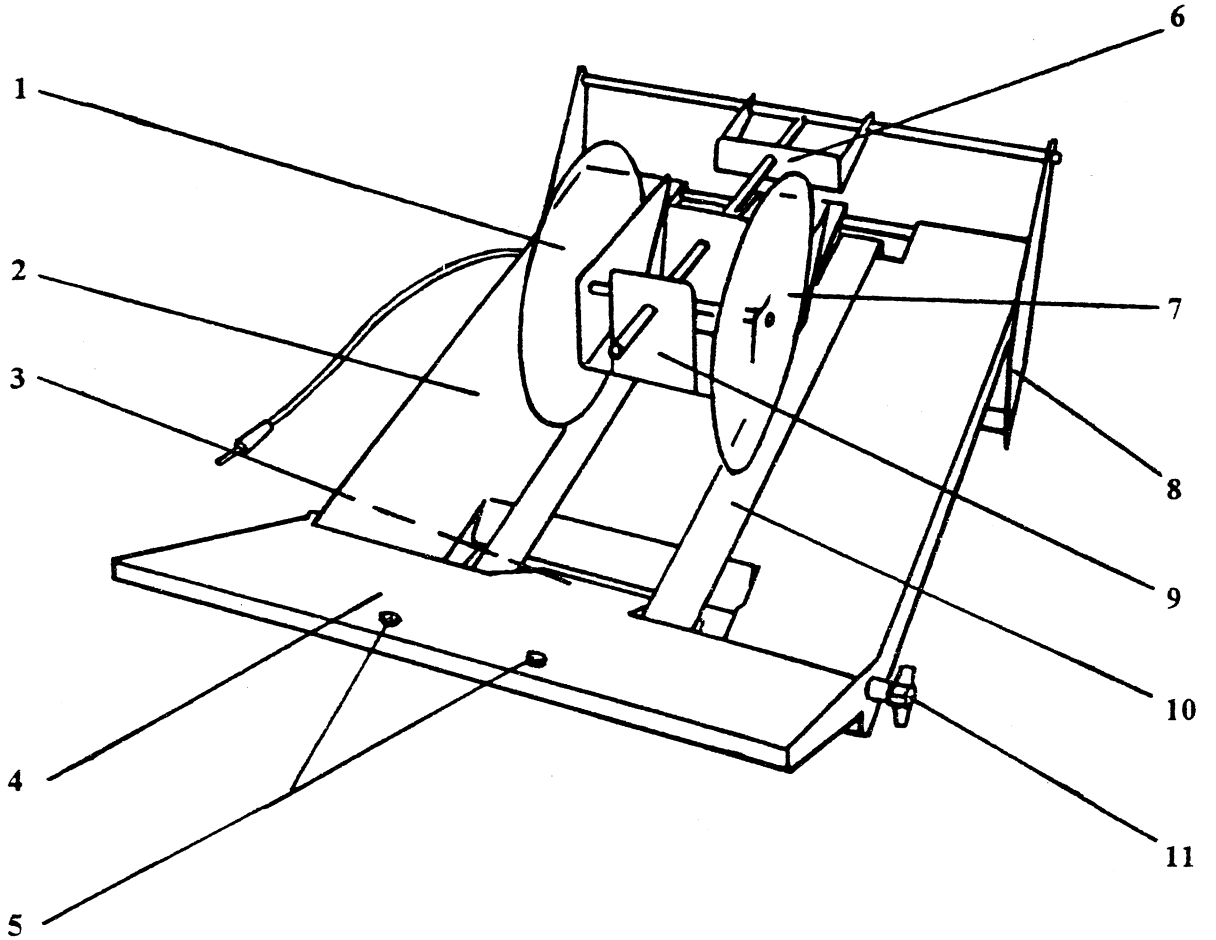
# Transmission

T27007 RM

Item	Part no.	Qty.	Description	Note
1	60742	2	Nut plate	
2	60623	2	Spring bracket	
3	603045	1	Roller assembly, Chain str.	
4	60753	1	Spring	
5	600105	1	Chain tensioner	
6	60707	2	Terminal	
7	60625	4	Spring	
8	603012	1	Roller bracket, flexible	
9	10543	2	Sprocket	
10	603043	1	Roller assembly, Bearing	
11	600119	1	Roller bracket, fixed	Right, step 2
	600120	1	Roller bracket, fixed	Left, step 2
12	60760	1	Chain	
13	603044	1	Roller assembly, Frame	
14	88826	2	Sprocket	
15	60621	4	Spring holder	
	60622	4	Spacer bracket	
16	60752	4	Spring	
17	60531	2	Bracket, transmission motor	
18	60534	1	Sprocket	

# Conveyor belt stacker (upper view)

T27008 RM



# Conveyor belt stacker(upper view)

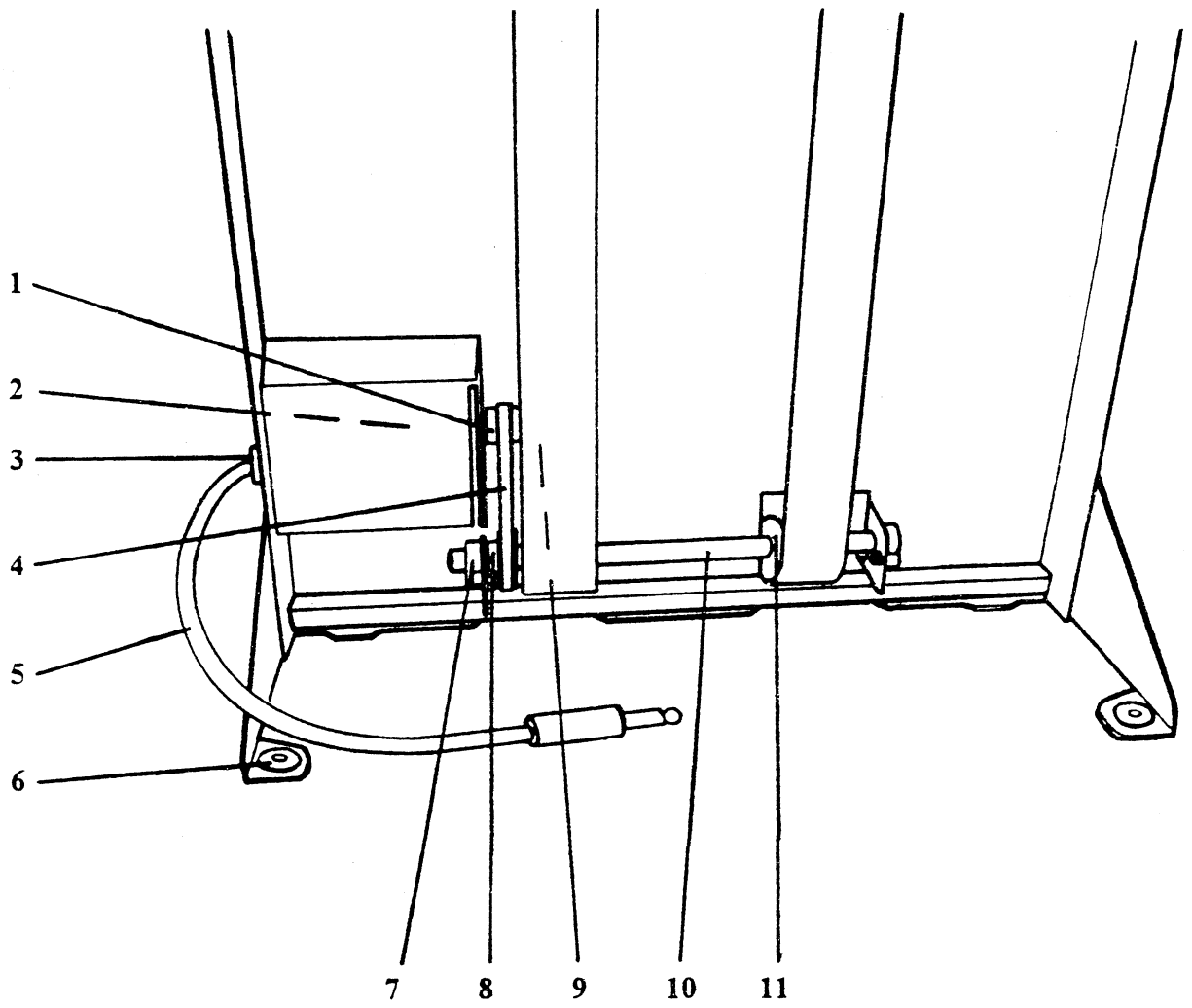
T27008 RM

---

Item	Part no.	Qty.	Description	Note
1	60816	2	Output wheel	
	25527	2	O-ring	
2	60804	1	Conveyor frame	
3	363017	2	Roller	Incl. bearing
	60814	1	Shaft, adjustable	
4	60805	1	End plate	
5	60825	4	Grommet	
6	608036	1	Output wheel assembly	Incl. 60816, 60833 and 60809
7	60833	1	Arrow	
8	60806	1	Mounting bracket, right	
	60807	1	Mounting bracket, left	
9	60809	1	Bracket for output wheels	
10	60822	2	Transport belt	
11	60551	2	Knob	

# Conveyor belt stacker(lower view)

T27008 RM



# Conveyor belt stacker(lower view)

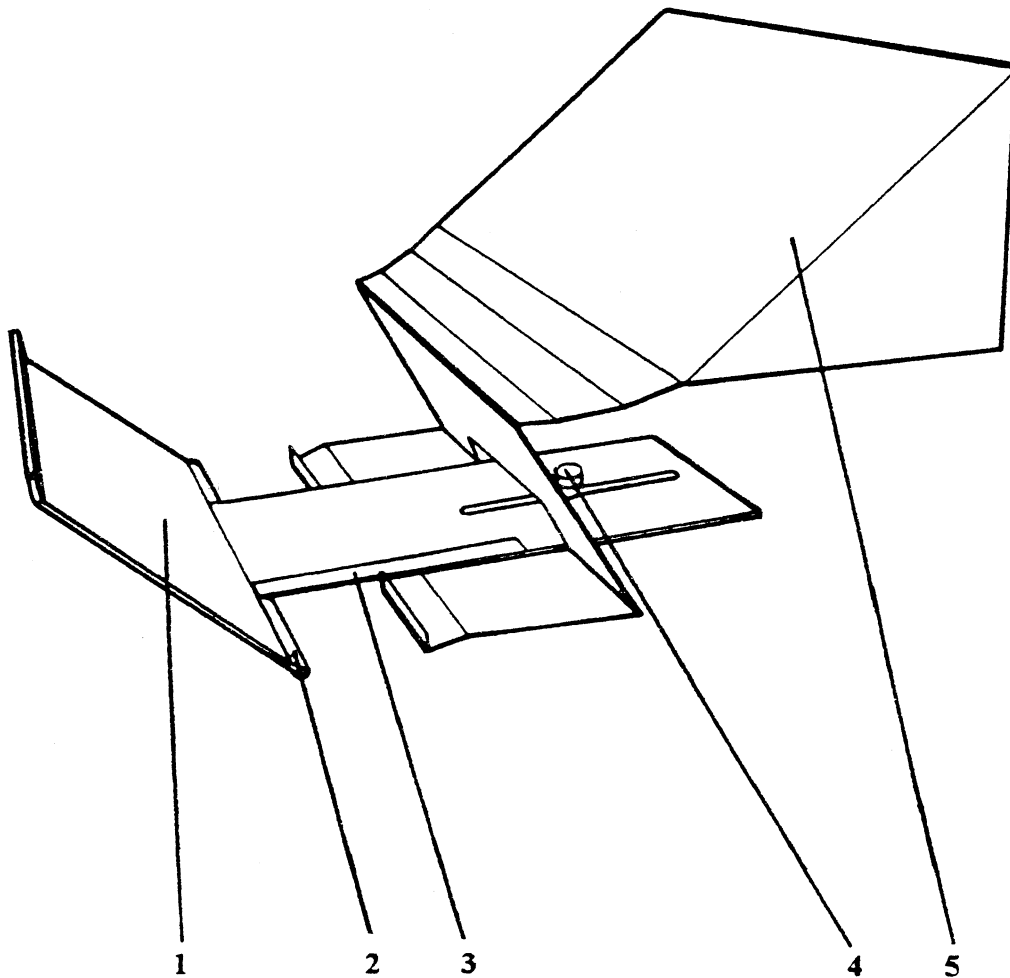
T27008 RM

---

Item	Part no.	Qty.	Description	Note
1	60813	1	Pulley, motor	
2	806019	1	Motor	
3	60929	1	Cable bearer	
4	60828	1	V-belt	
5	608013	1	Cable incl. connector	
6	60562	1	Grommet	
7	60827	1	Bearing	
8	60812	1	Pulley, drive shaft	
9	60811	1	Thrust bearing	
10	60815	1	Shaft, fixed	
11	80503	2	Drive, roller	

# Delivery tray

T27008 RM



# Delivery tray

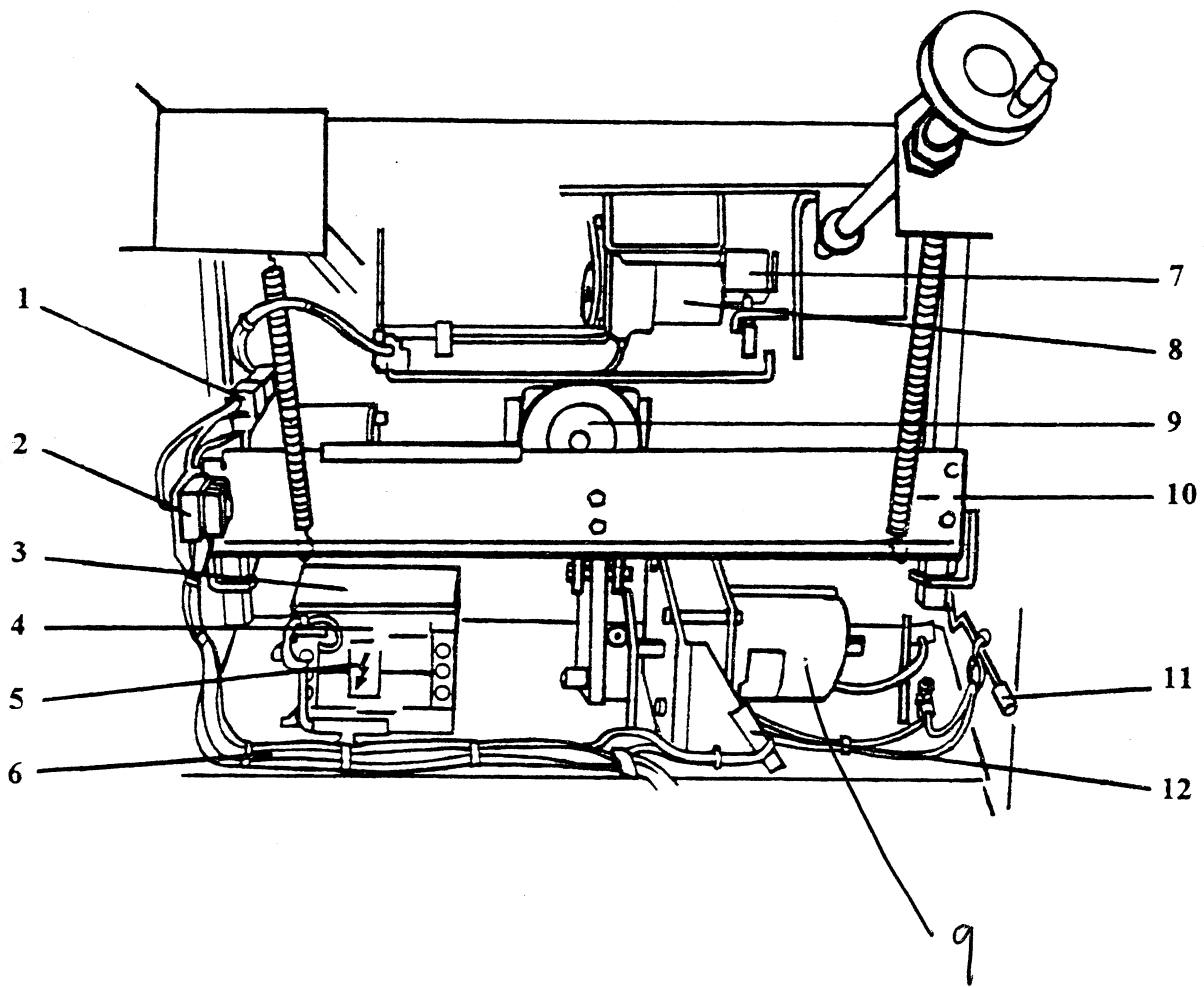
T21008 RM

---

Item	Part no.	Qty.	Description	Note
1	60979	1	Tray	
2	60514	1	Edge strip	
3	60684	1	Scale	
4	60843	1	Stud	
	60844	1	Knob	
5	60841	1	Glide path	

# Electrical components

T27008 RM





## Electrical components

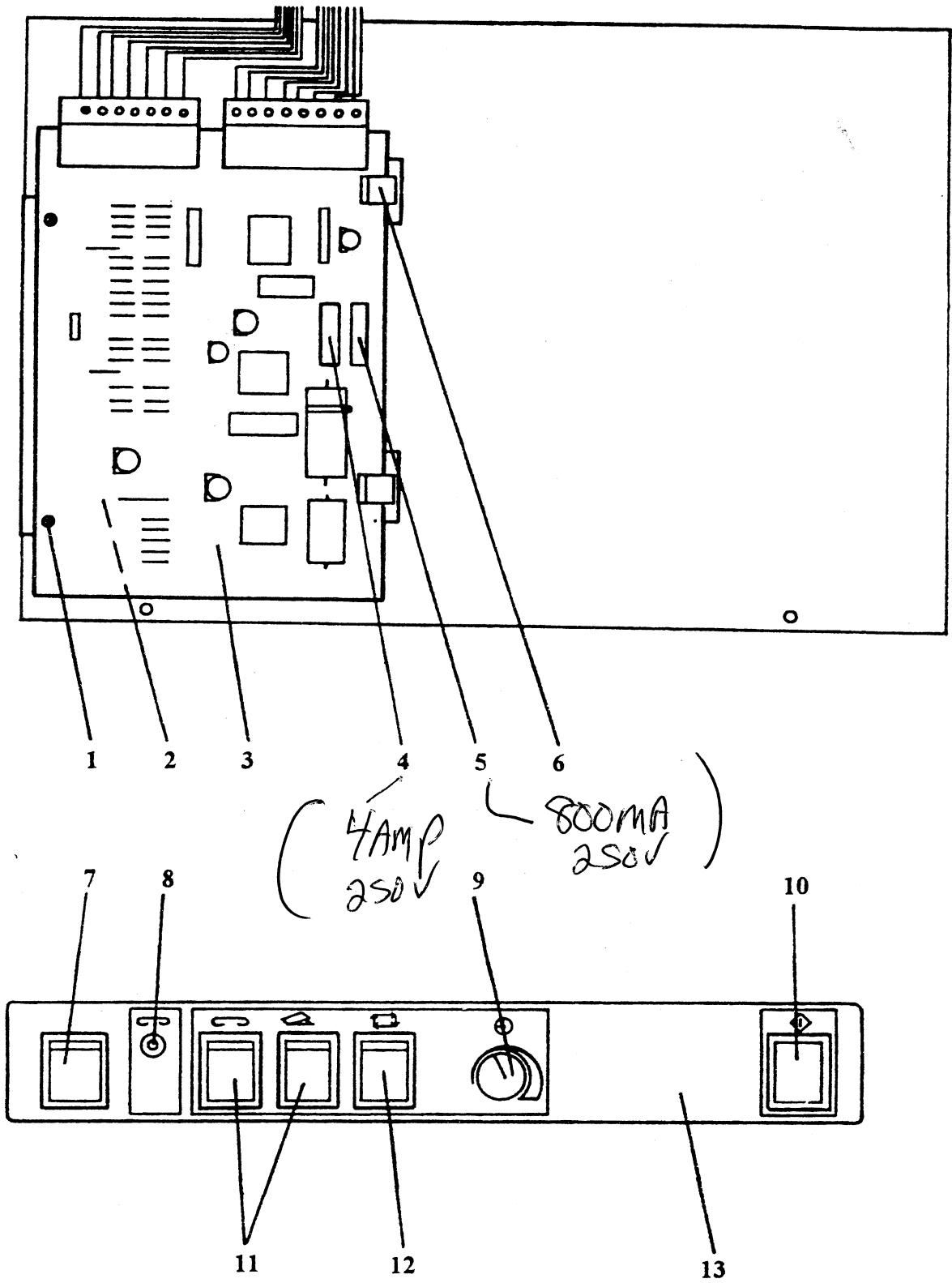
T27008 RM

---

Item	Part no.	Qty.	Description	Note
1	602017	5	Switch, stapling home pos.	SW 7
2	60707	2	Terminal	
3	600205	1	Transformer	
4	60754	1	Shield, transformer	
5	60706	1	Label, red flash	
6	600209	1	Main harness	
7	607016	1	Solenoid	S1
8	809045	1	Motor, Feed	MOT 4
9	606009	3	Motor, DC	MOT 1, MOT 2, MOT 3
10	602017	5	Switch, Safety interlock	SW 6
11	60705	1	Edge strip	
12	60755	1	Arm, interlock bypass	

# PCB and Front panel

T27008 RM



# PCB and Front panel

T27008 RM

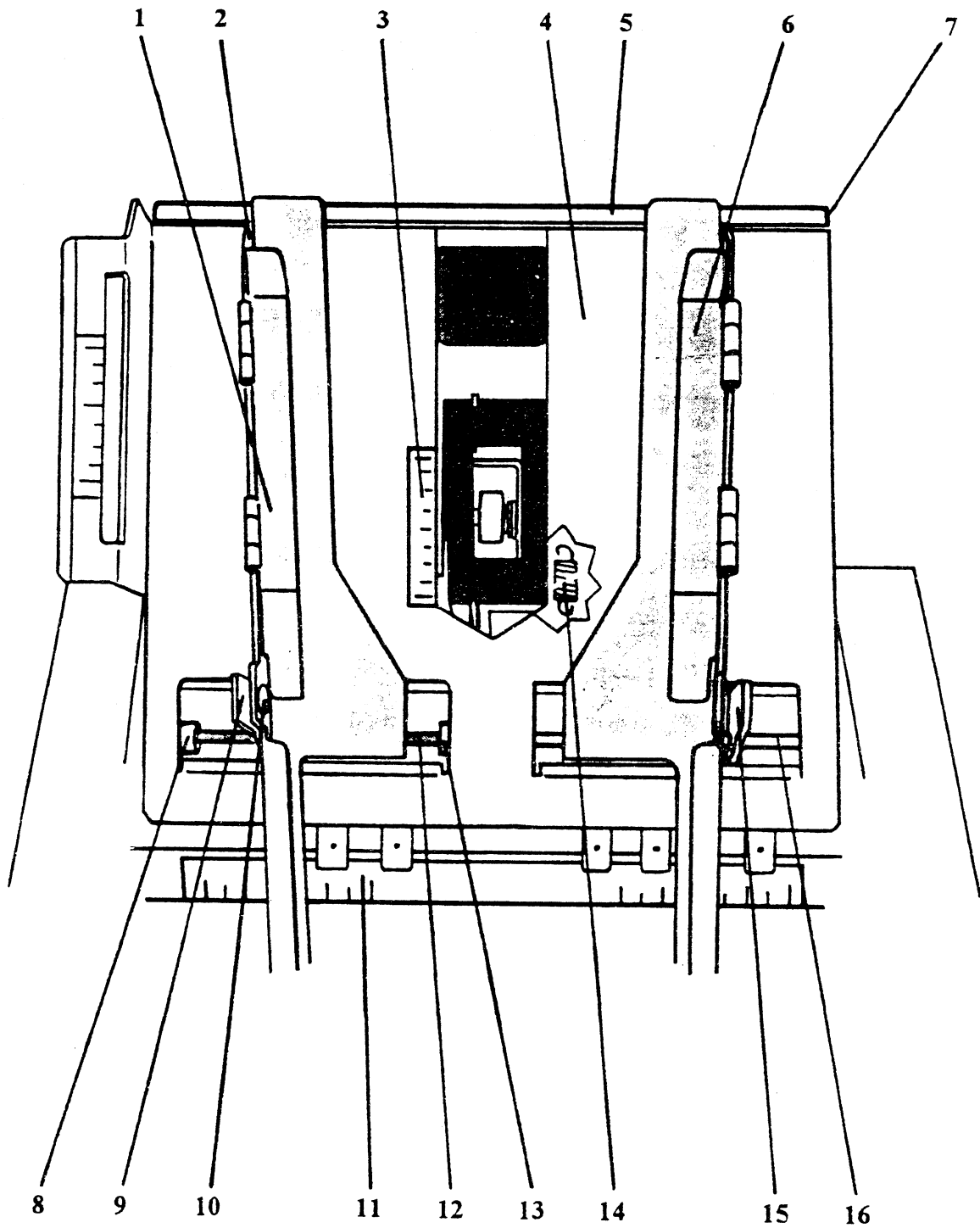
---

Item	Part no.	Qty.	Description	Note
1	Not spared	2	Sheet metal screw, B6x 9mm	
2	60630	1	Insulator film	
3	600201	1	PCB Model 60	
4	60519	1	Fuse 500 mA	
5	60651	1	Fuse 3.15 A	
6	60633	2	Cable hanger	
7	60689	1	Power switch	SW 1, All models
8	60962	1	LED socket	
	12852	1	LED	
9	601011	1	Knob, time setting	Model 60 only
10	60692	1	Manual start switch	SW 5
11	60690	2	Stapling switch, Fold switch	SW 2, SW 3
12	60691	1	Automatic/ Manual switch	SW 4
13	60686	1	Front panel	Model 60 only

**SECTION 2:**  
**MODEL 61 PARTS**

# Inner Top view, Model 61

T27005 RM



# Inner Top view, Model 61

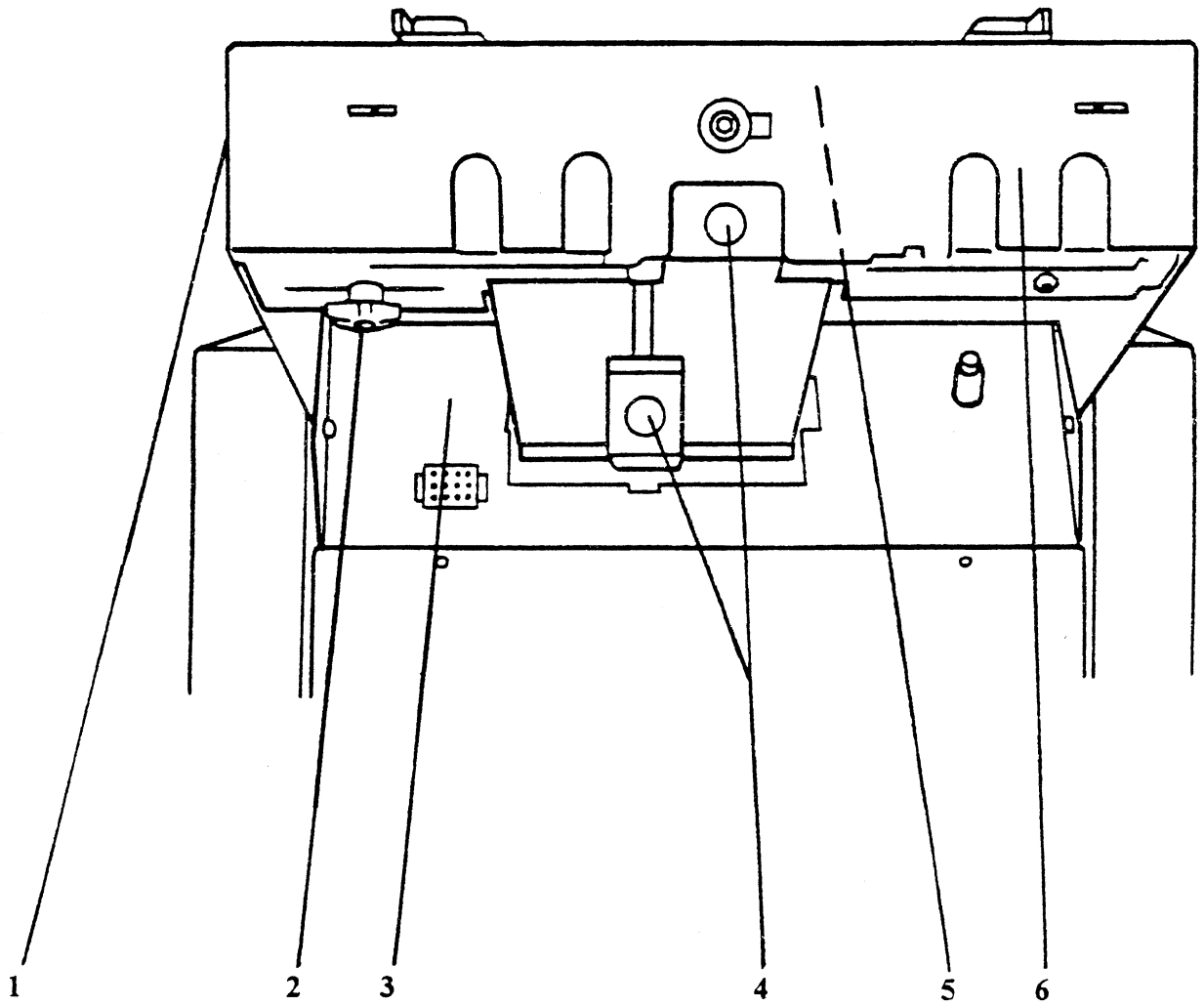
T27005 RM

---

Item	Part no.	Qty.	Description	Note
1	610142	1	Side jogger assembly, right	
2	61006	1	Label, green arrow	
3	61003	1	Scale, length adjustment	
4	61071	1	Paper path, Infeed	
5	610139	1	Docking plate	50 Hz
	610140	1	Docking plate	60 Hz
6	611013	1	Side guide assembly, left	
7	61007	2	Label, green strip	
8	88243	2	Flange bushing	
	88236	1	Retaining ring	
9	611011	1	Lock assembly, side jogger R	Incl. 61049,60751
	60751	1	Spring	
10	61005	4	Label, green dot	
11	61130	1	Scale, width adjustment	
12	61039	1	Shaft, jogger movement	
13	61049	1	Spring	
14	61051	1	Spring	
15	611012	1	Lock assembly, side guide L	Incl. 60751,61005
	60751	1	Spring	
16	61040	1	Shaft, manual movement	

# Infeed view, Model 61

T207006 RM



# Infeed view, Model 61

T207006 RM

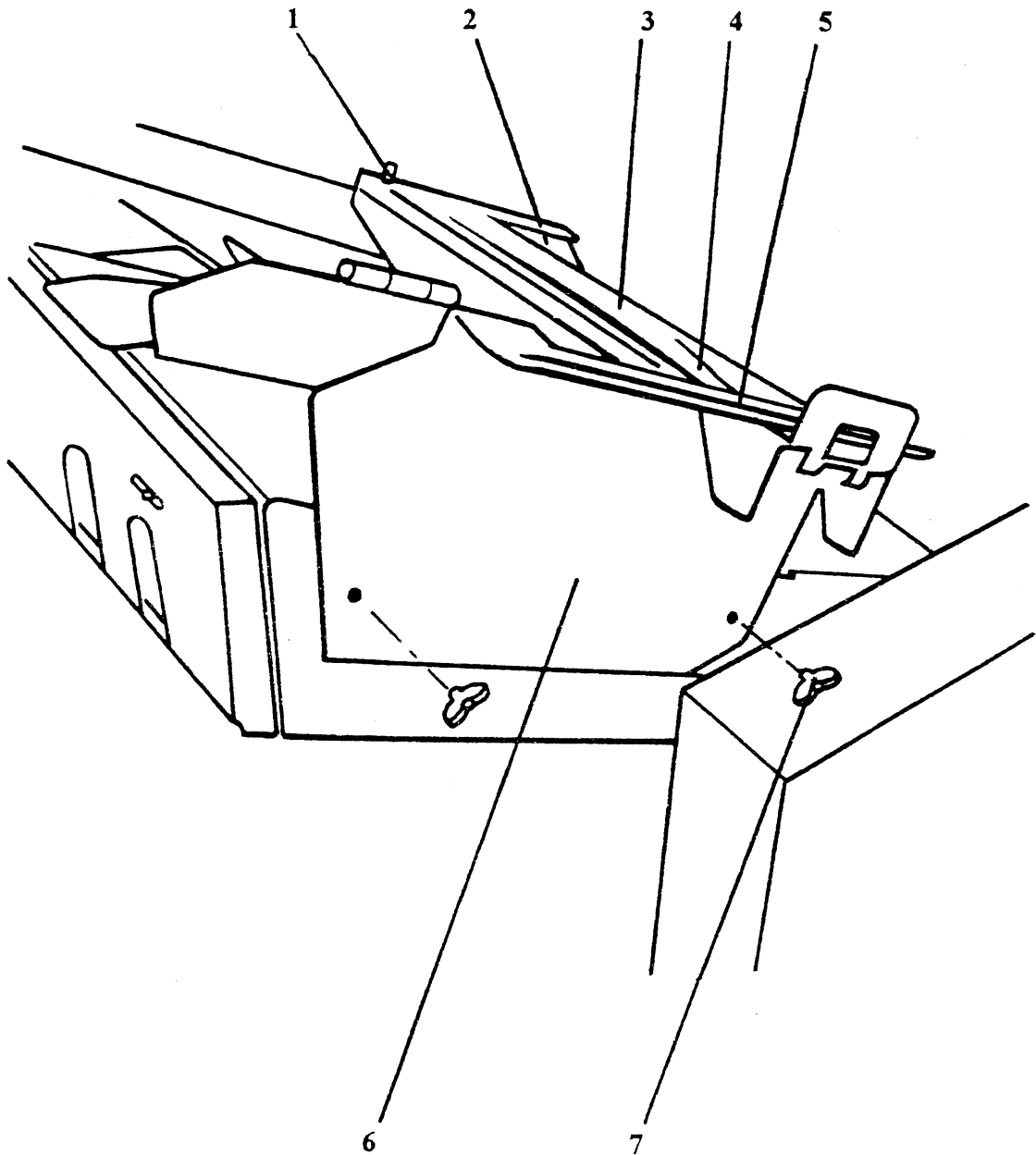
---

Item	Part no.	Qty.	Description	Note
1	61007	2	Label, green dot	
2	60551	3	Knob	
3	61018	1	Cover, upper front	
4	61005	4	Label, green dot	
5	90169	1	Spring	
6	61039	1	Docking plate assembly	50 Hz, incl. 90169,61007
	610140	1	Docking plate assembly	60 Hz, incl. 90169,61007



# Infeed Idler arm, Model 61

T207006 RM



# Infeed Idler arm, Model 61

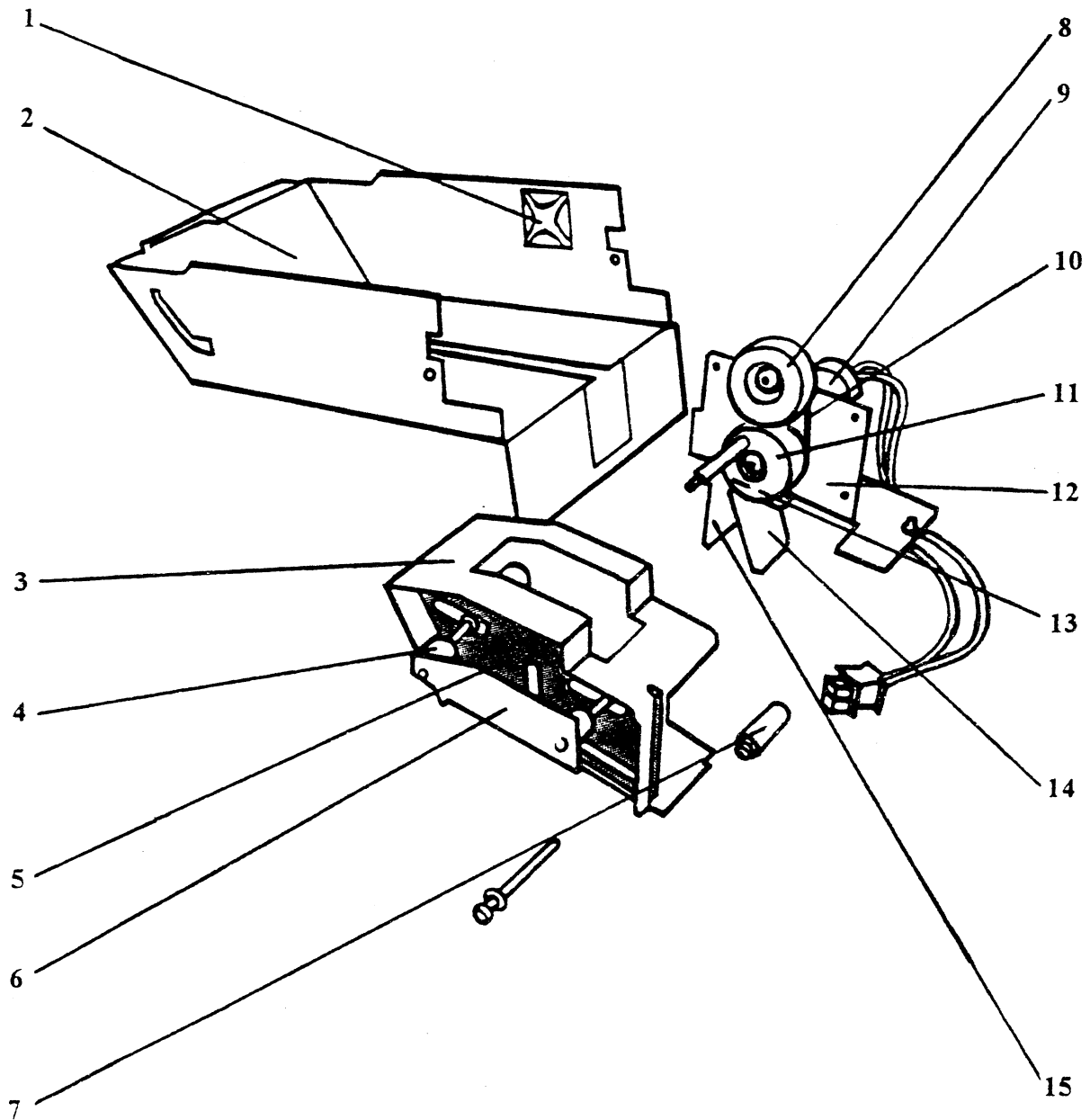
T207006 RJM

---

Item	Part no.	Qty.	Description	Note
1	40514	1	Spacer, plastic	
2	611009	1	Idler wheel	
3	611008	1	Infeed idler arm	Incl. 40514 and 61007
4	61007	1	Label, green strip	
5	61003	1	Scale, length adjustment	
6	61033	1	Idler bracket	
7	Not spared	2	Winged nut M4 mm	
	610123	1	Infeed Idler arm kit	Incl. items 1-7

# Rear jogger assembly, Model 61

T207006 RM



# Rear jogger assembly, Model 61

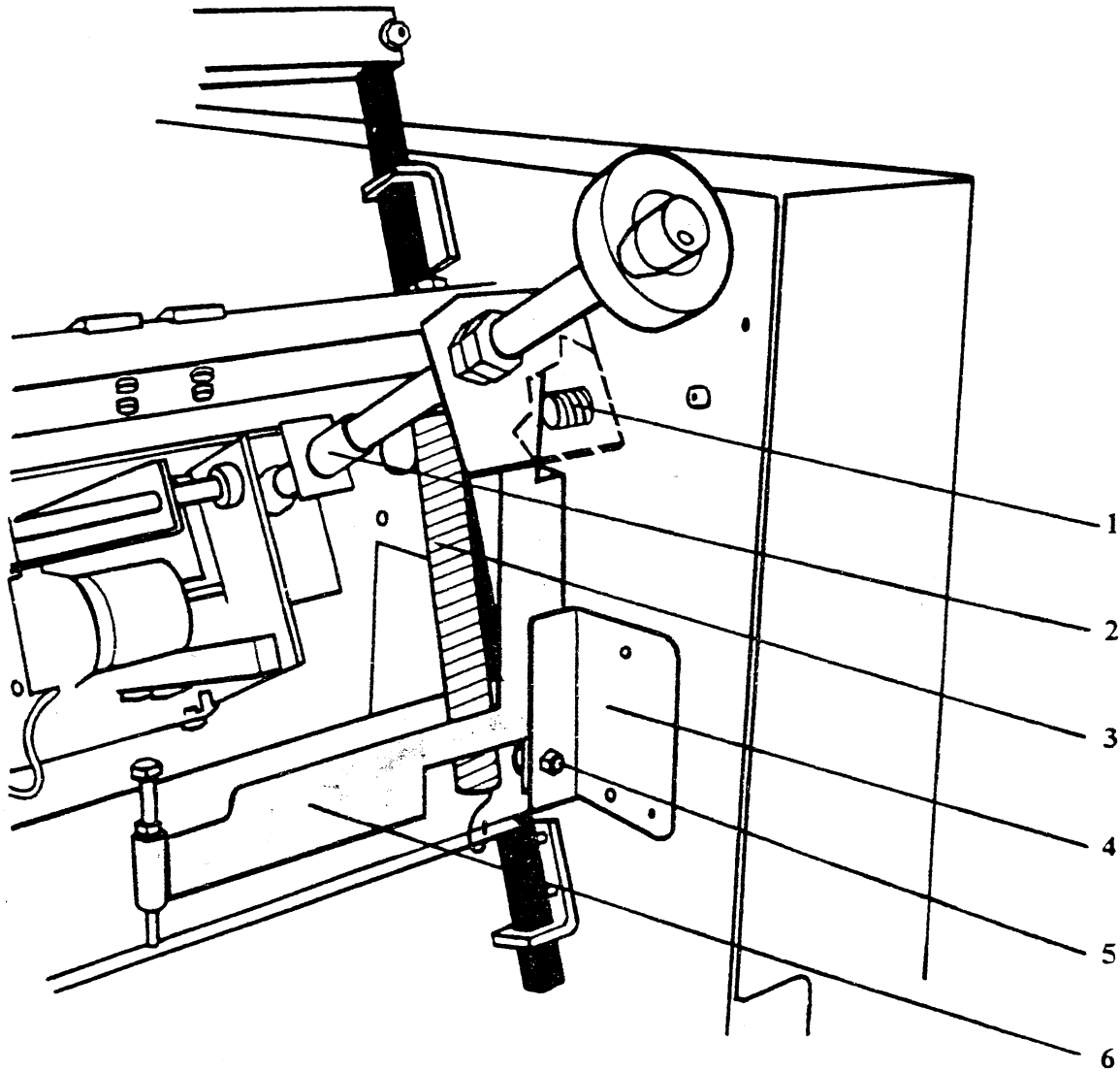
T207006 RM

---

Item	Part no.	Qty.	Description	Note
1	60634	1	Cable hanger	
2	61079	1	Frame, rear jogger	
3	61077	1	Jogger	
4	61084	1	Spacer, Index	
5	61080	1	Guide plate	
6	61026	1	Index	
7	61082	3	Spacer, Guide plate	
8	611001	1	Feed wheel	Incl.61124
	61124	1	Friction tire	
9	610203	1	Rear jogger motor	
10	61053	2	O-ring	
11	611002	1	Clutch wheel	
12	61078	1	Bracket, Rear jogger	
13	88228	1	Spring	
14	61023	1	Positioning handle	
15	61024	1	Positioning lock	

# Jogger linkage, Model 61

T207006 RM



# Jogger linkage, Model 61

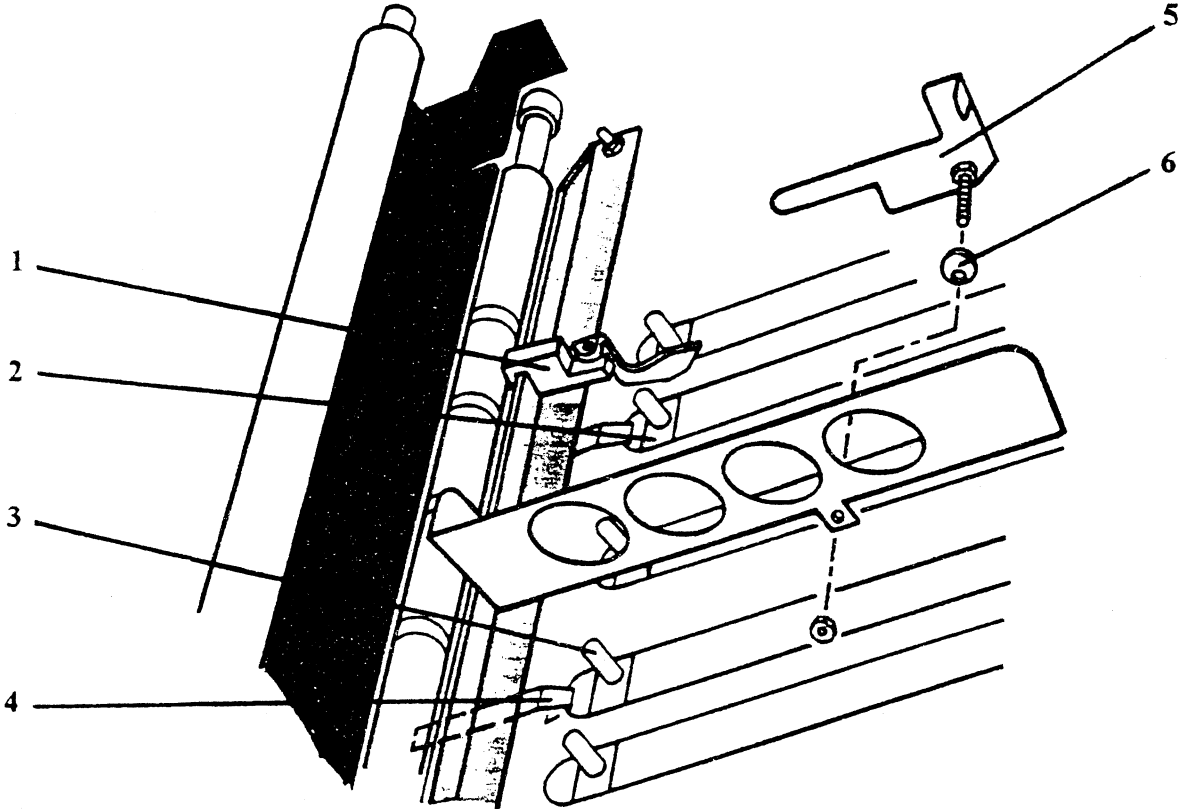
T207006 RM

---

Item	Part no.	Qty.	Description	Note
1	61050	1	Spring	
2	61085	2	Spacer, guide shaft	
3	61052	2	Spring	
4	61025	2	Bracket, jogger linkage	
5	Not spared	1	Washer 4x8x0.2	
	Not spared	2	Washer 4x8x1	
6	61019	1	Jogger linkage	
	610141	1	Jogger linkage assembly	Incl. 61025, Washers and 61019

# Stapler stop, Model 61

T27007 RM



# Stapler stop, Model 61

T27007 RM

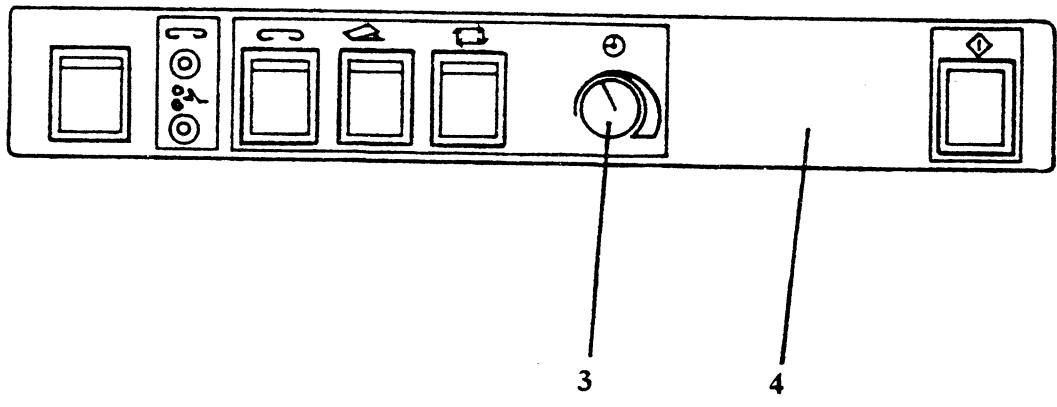
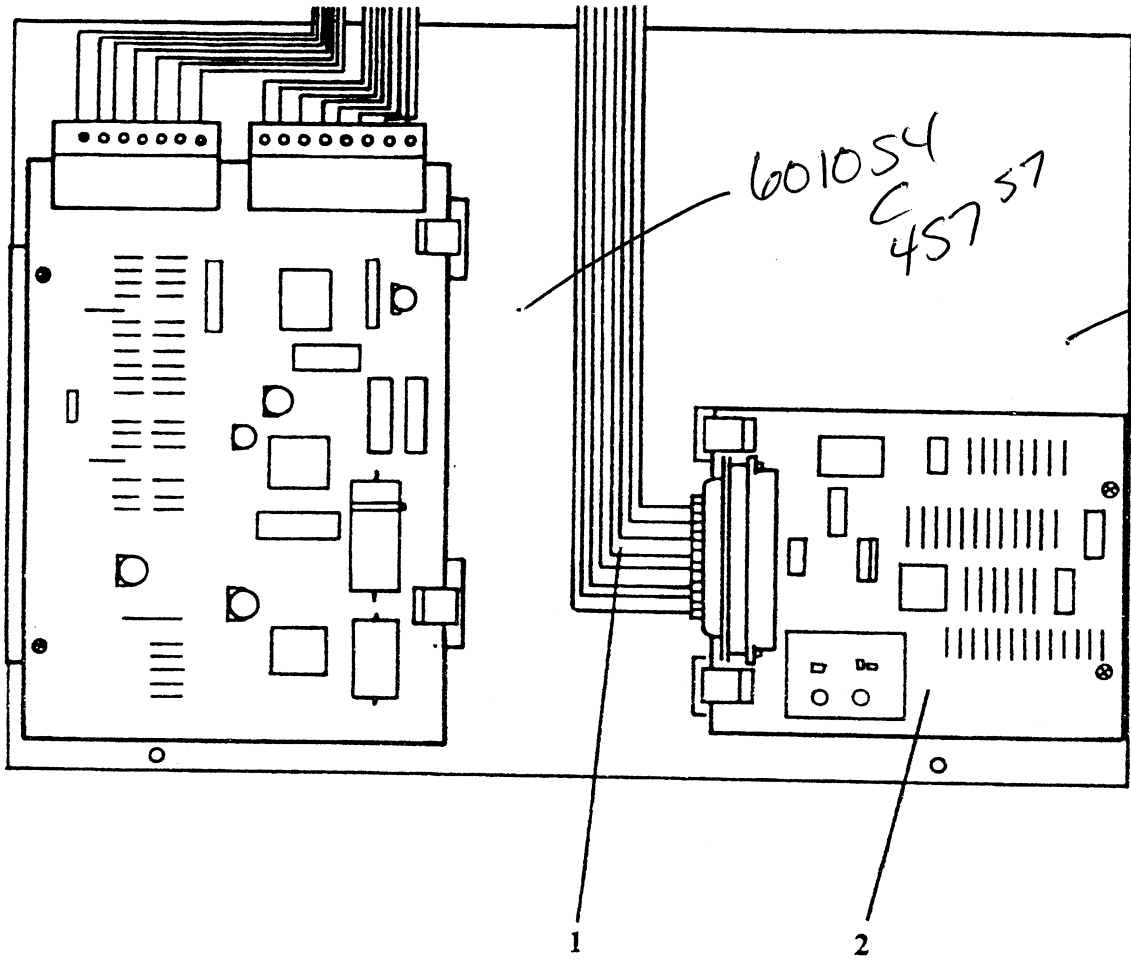
---

Item	Part no.	Qty.	Description	Note
1	610135	2	Paper guide, Staple stop	
2	611010	1	Stapler stop assembly	
3	60597	5	Stapler stop pin	
	Not spared	5	Set screw M 4x 16mm	
4	61091	2	Hook pin	
5	61069	1	Paper guide, idler roller	
6	60593	1	Idler roller	



# PCB's and Front panel, Model 61

T27008 RM



# PCB's and Front panel, Model 61

T17008 RM

---

Item	Part no.	Qty.	Description	Note
1	610201	1	Wiring harness Model 61	
2	610202	1	PCB 61-2A	
3	611003	1	Knob, time setting	
4	61001	1	Front panel	